



US006940209B2

(12) **United States Patent**
Henderson

(10) **Patent No.:** **US 6,940,209 B2**
(45) **Date of Patent:** **Sep. 6, 2005**

(54) **ULTRASONIC LEAD SCREW MOTOR**

(75) Inventor: **David A. Henderson**, Farmington, NY
(US)

(73) Assignee: **New Scale Technologies**, Victor, NY
(US)

(*) Notice: Subject to any disclaimer, the term of this patent is extended or adjusted under 35 U.S.C. 154(b) by 0 days.

(21) Appl. No.: **10/657,325**

(22) Filed: **Sep. 8, 2003**

(65) **Prior Publication Data**

US 2005/0052094 A1 Mar. 10, 2005

(51) **Int. Cl.⁷** **H01L 41/08**

(52) **U.S. Cl.** **310/323.02**

(58) **Field of Search** 310/316-318,
310/323.02, 328, 323; 73/290

(56) **References Cited**

U.S. PATENT DOCUMENTS

3,902,084 A 8/1975 May, Jr.

5,144,187 A	*	9/1992	Culp	310/328
5,237,236 A	*	8/1993	Culp	310/317
5,387,835 A	*	2/1995	Tsukimoto et al.	310/323.13
5,410,206 A		4/1995	Luecke et al.		
5,453,653 A		9/1995	Zumeris		
6,147,435 A		11/2000	Fujimura		
6,366,004 B1	*	4/2002	Yano et al.	310/323.12

* cited by examiner

Primary Examiner—Tom Dougherty

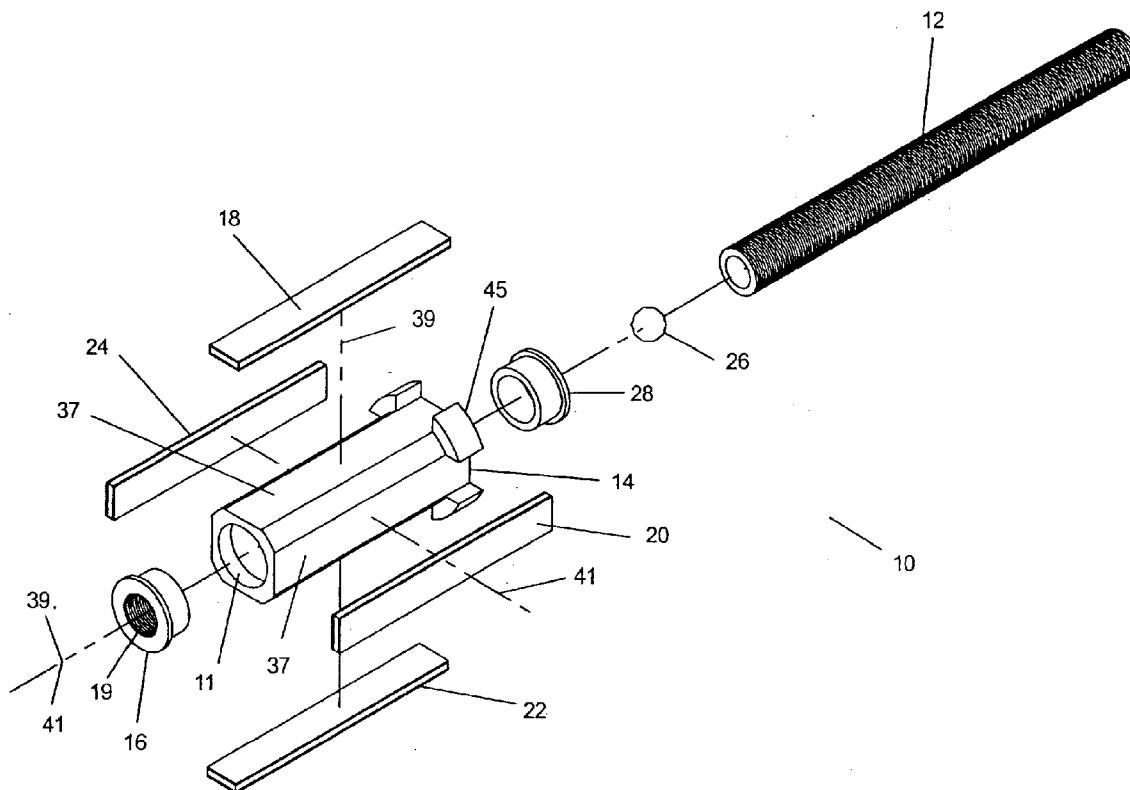
Assistant Examiner—Karen Addison

(74) *Attorney, Agent, or Firm*—Howard J. Greenwald;
Peter J. Mikeref

(57) **ABSTRACT**

An apparatus for driving a threaded shaft assembly that contains a threaded shaft with an axis of rotation and, engaged therewith, a threaded nut. Subjecting the threaded nut to ultrasonic vibrations causes the threaded shaft to simultaneously rotate and translate in the axial direction. The threaded shaft is connected to a load that applies an axial force to the threaded shaft.

24 Claims, 26 Drawing Sheets



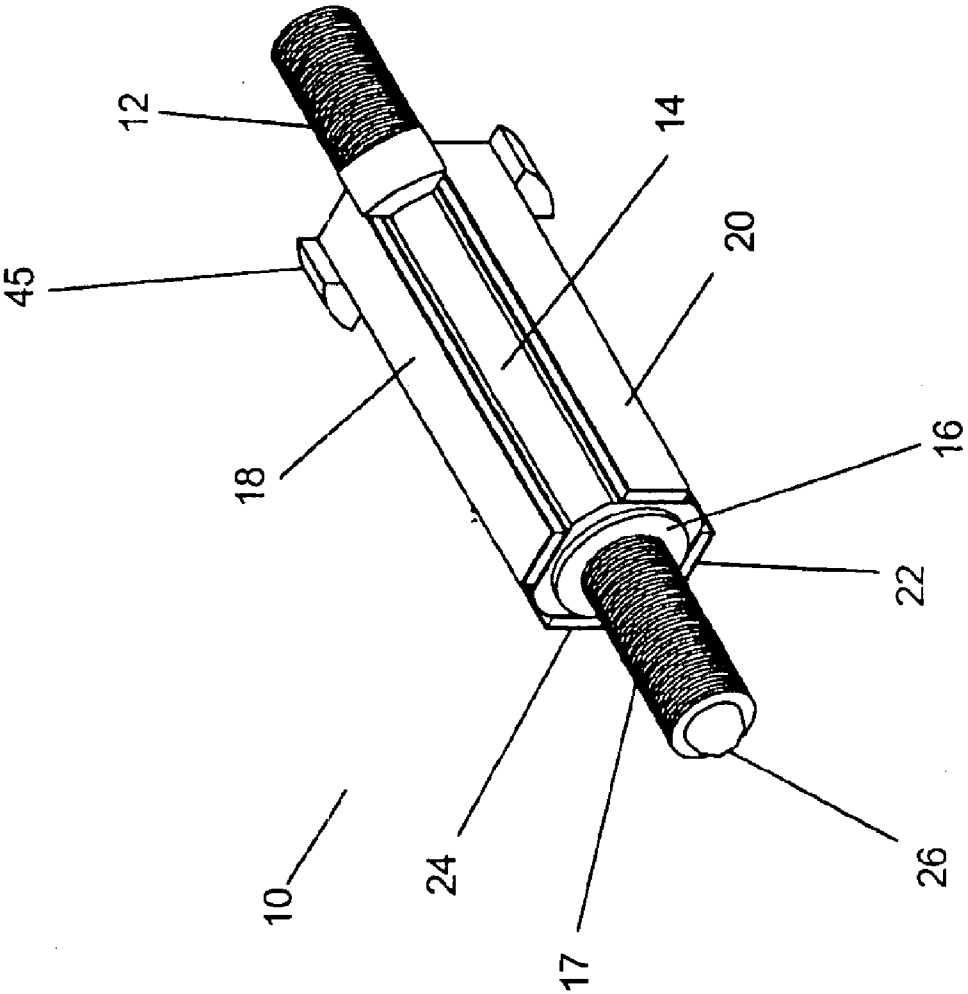


Figure 1

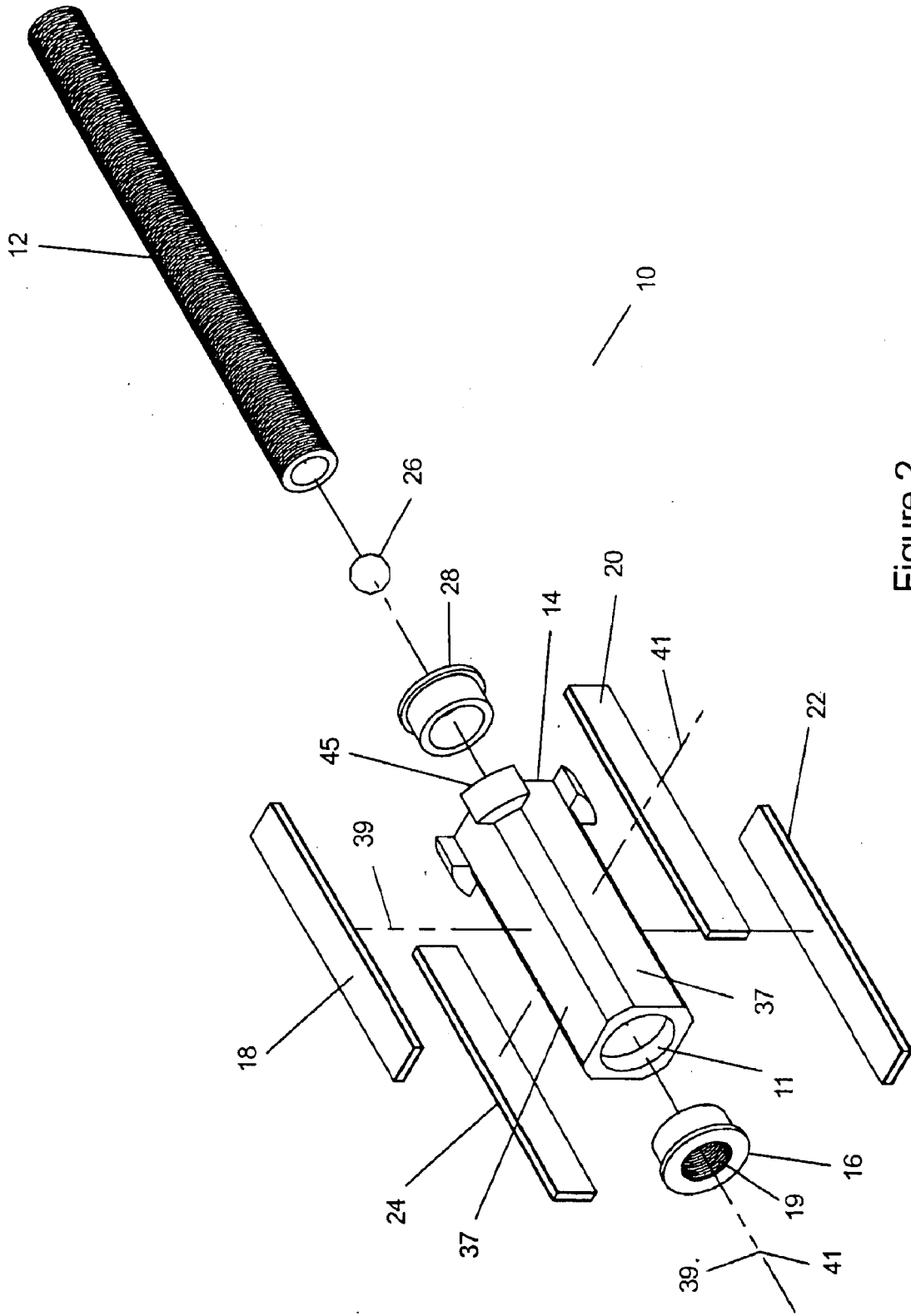


Figure 2

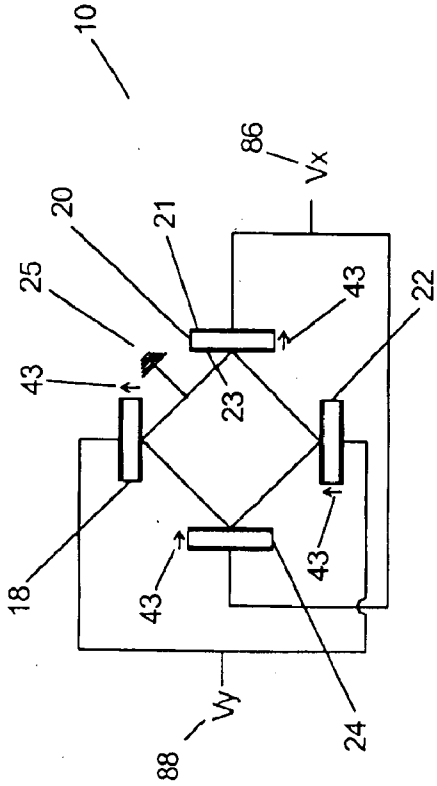


Figure 4

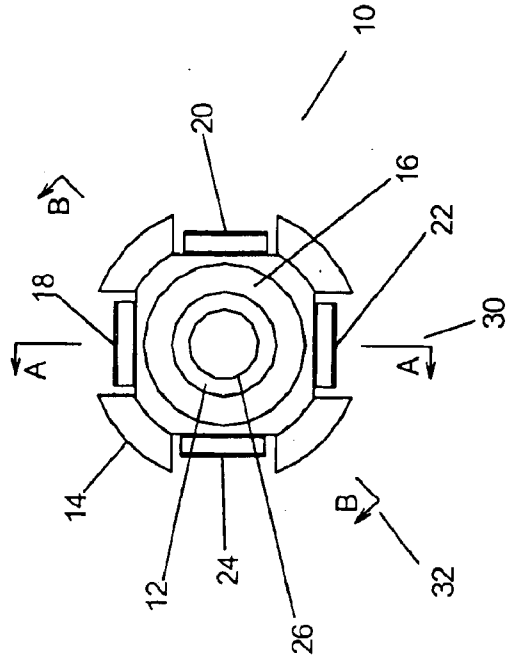


Figure 3

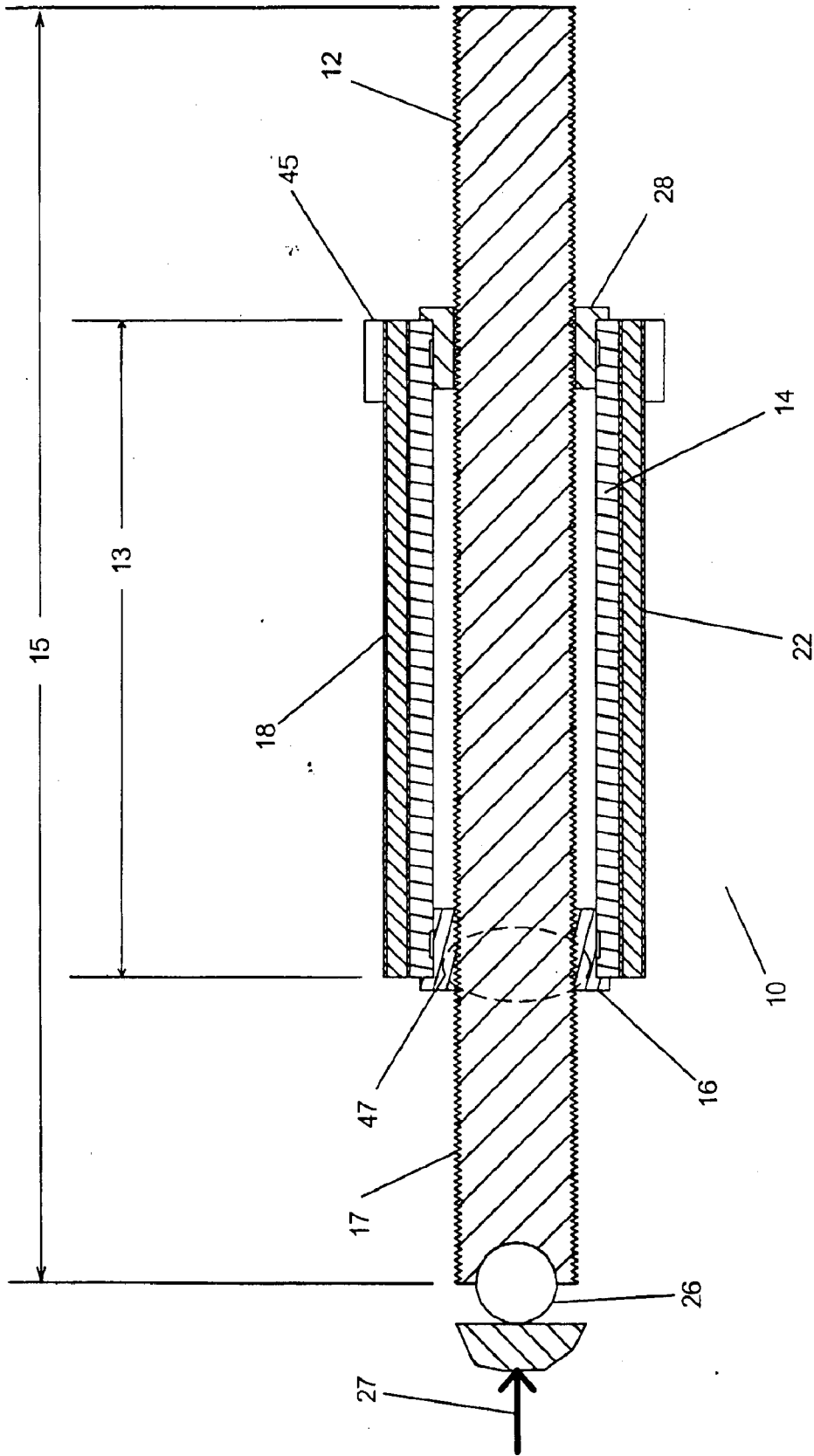


Figure 5

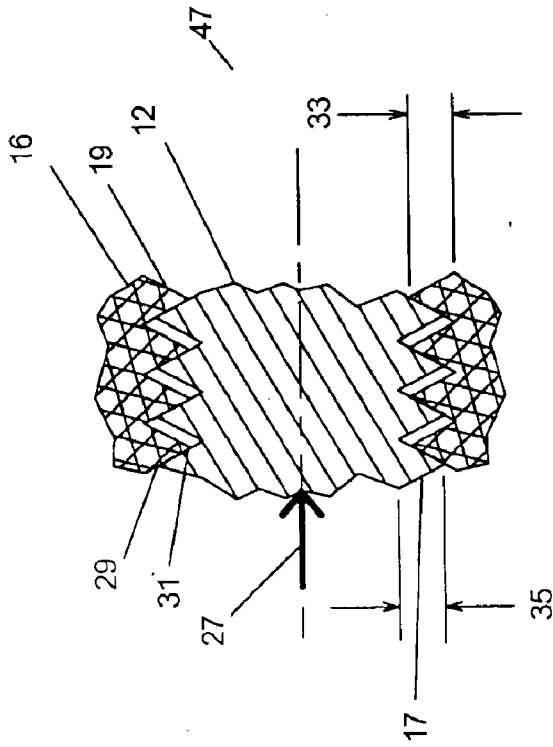


Figure 5A

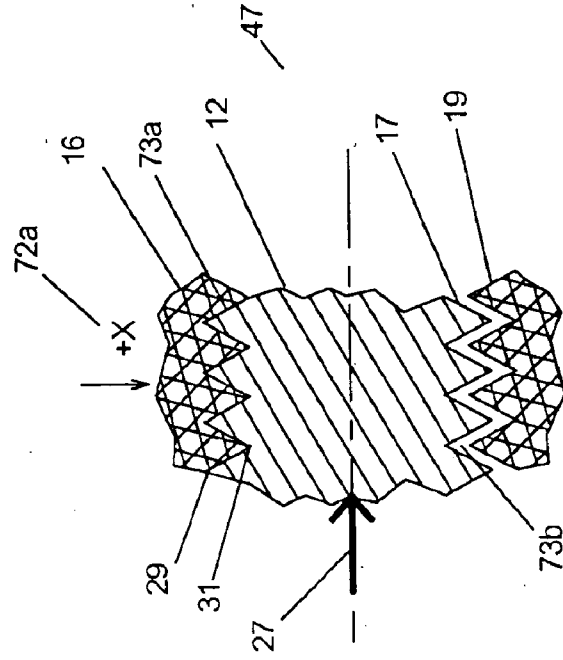


Figure 5B

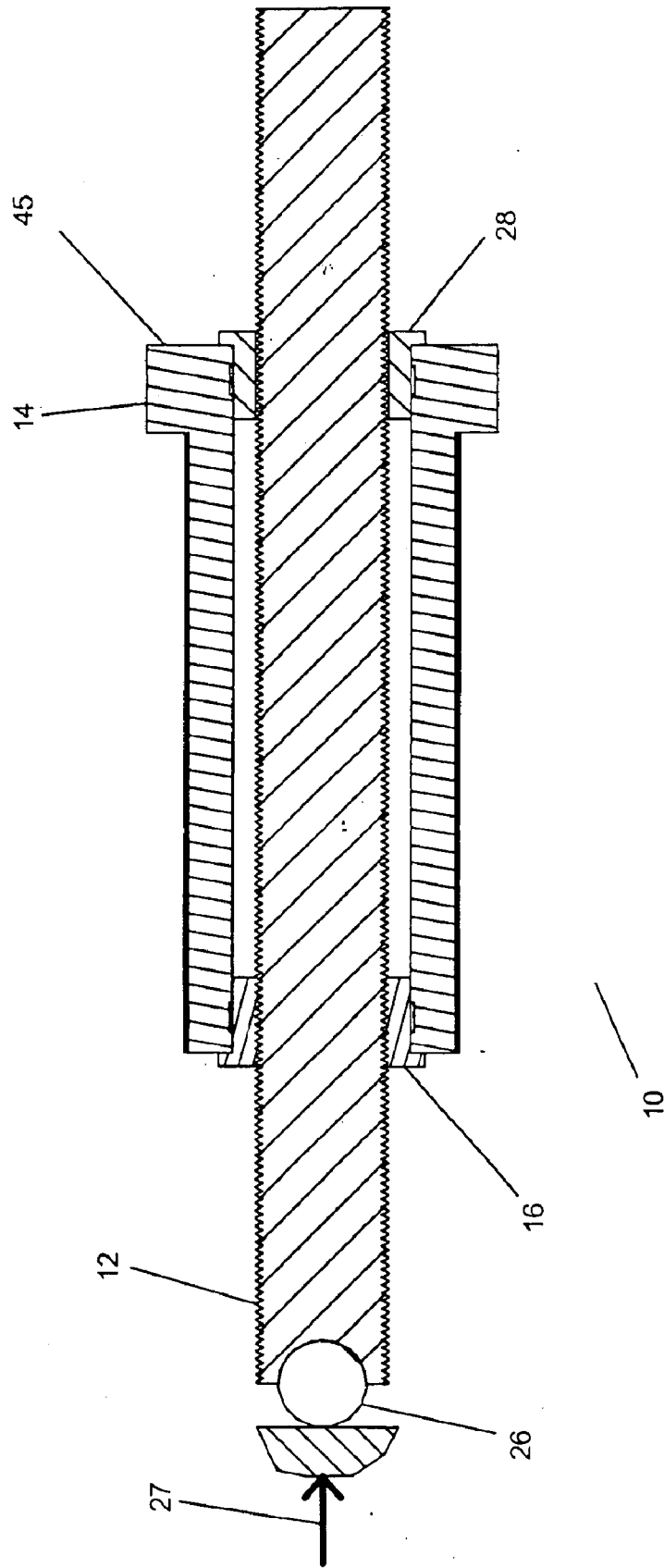


Figure 6

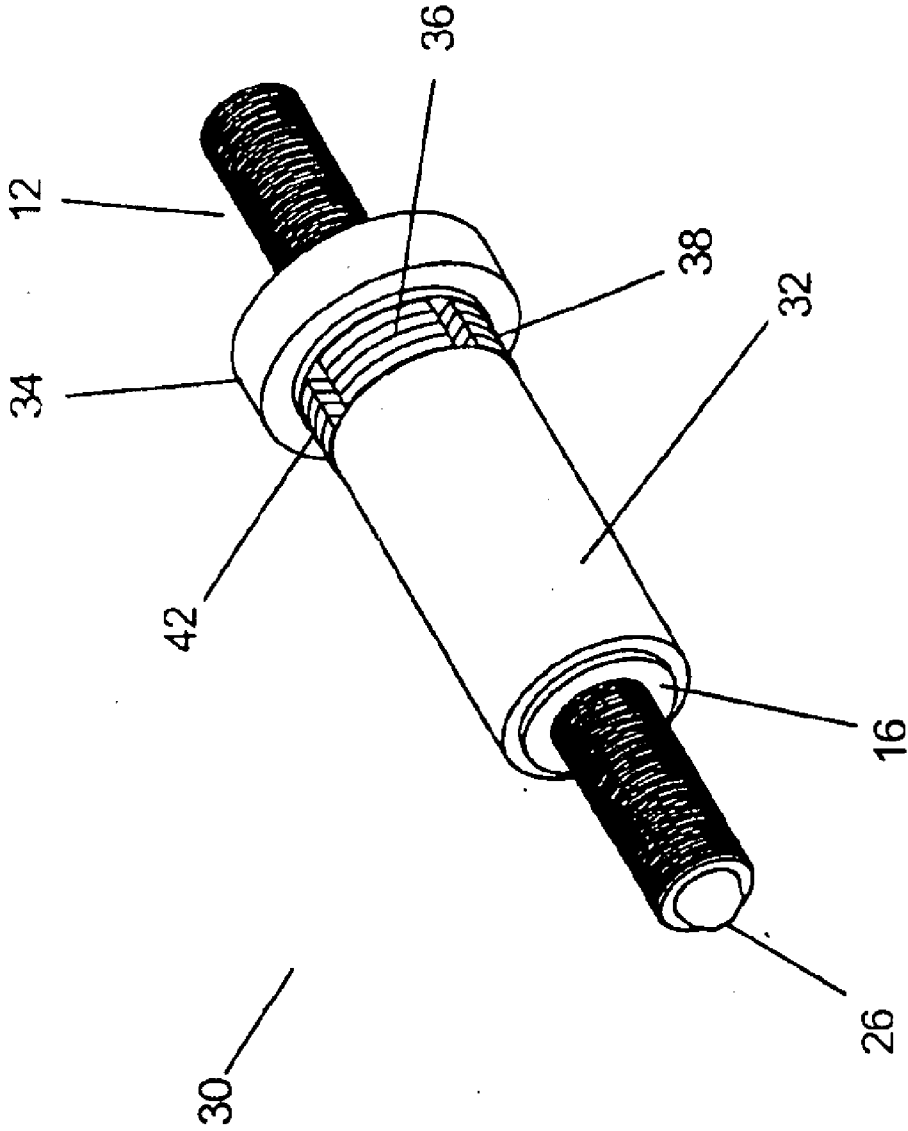


Figure 7

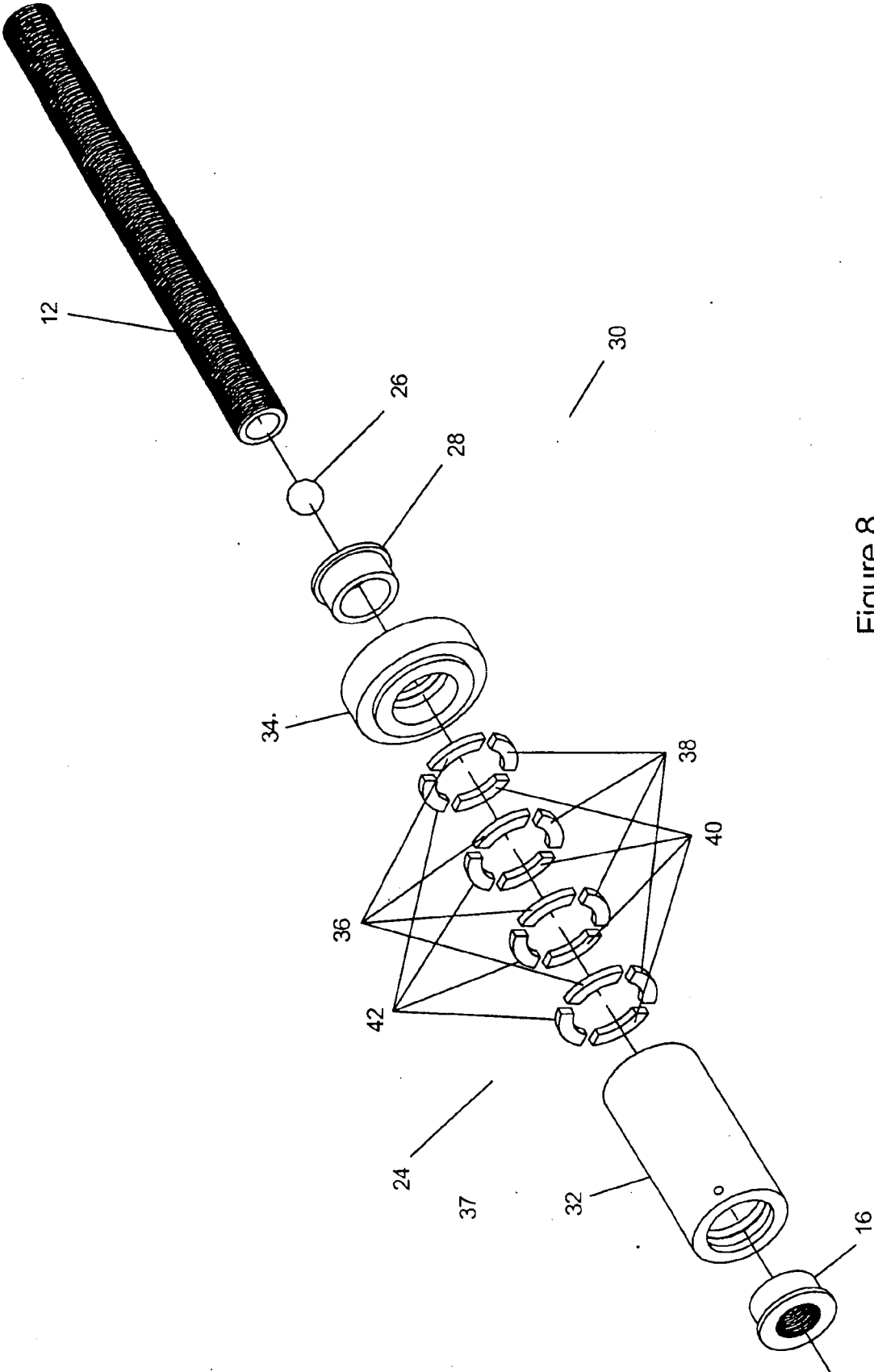


Figure 8

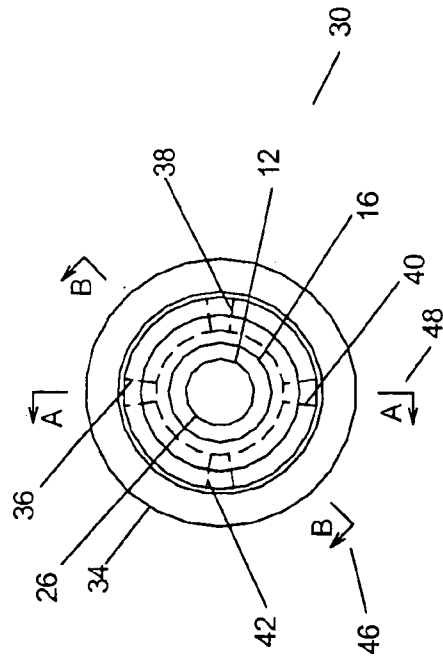


Figure 9

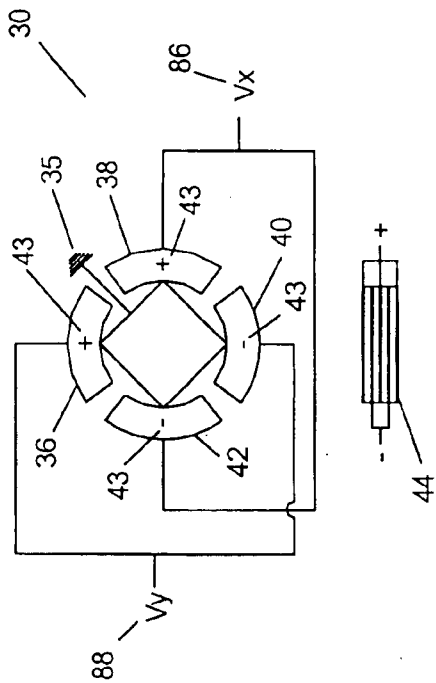


Figure 10

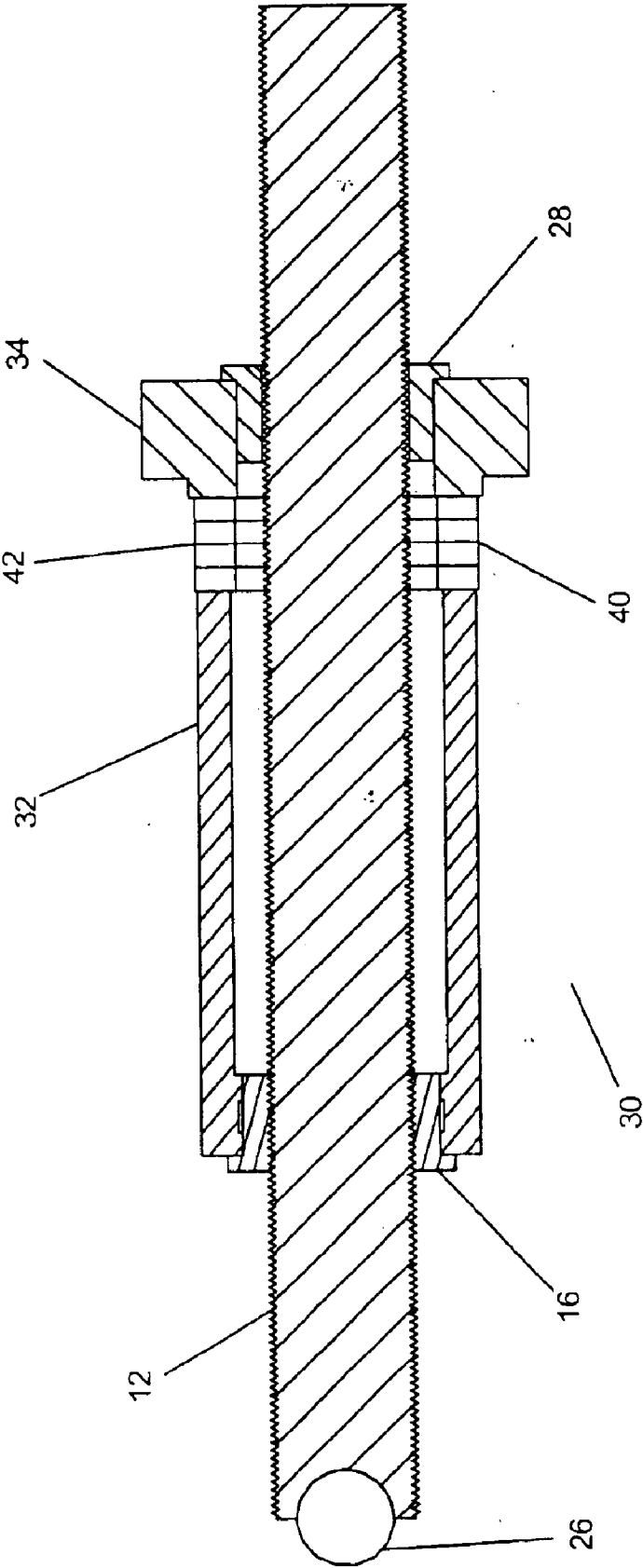


Figure 11

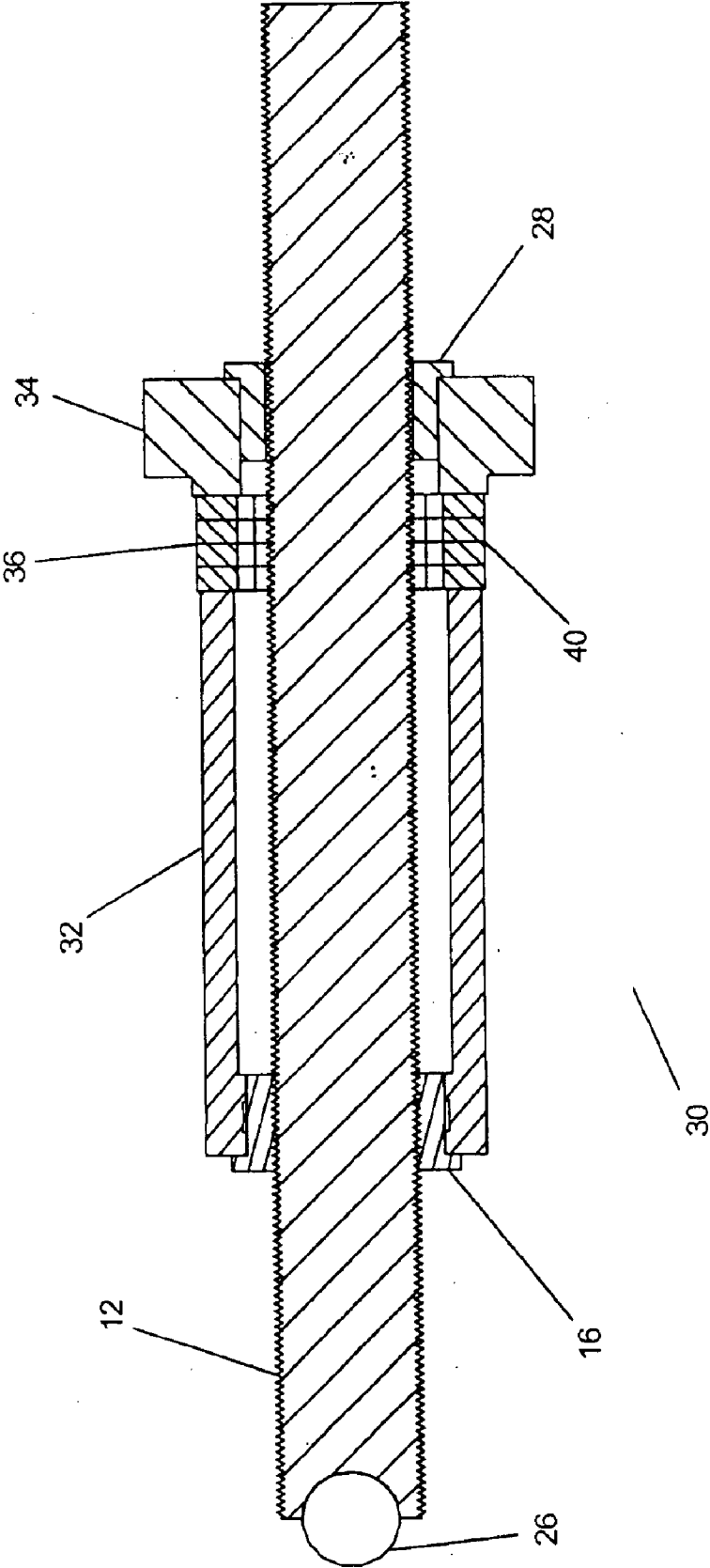


Figure 12

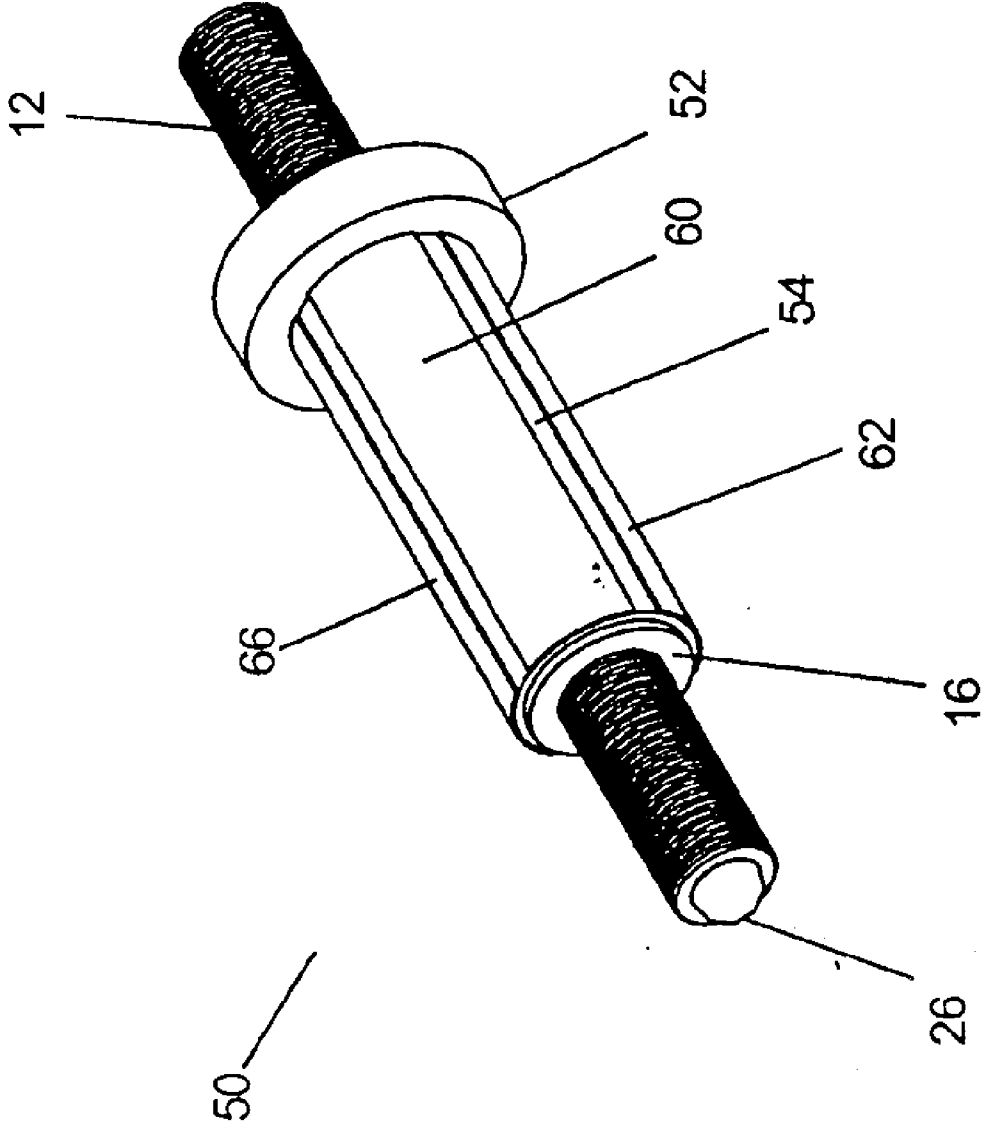


Figure 13

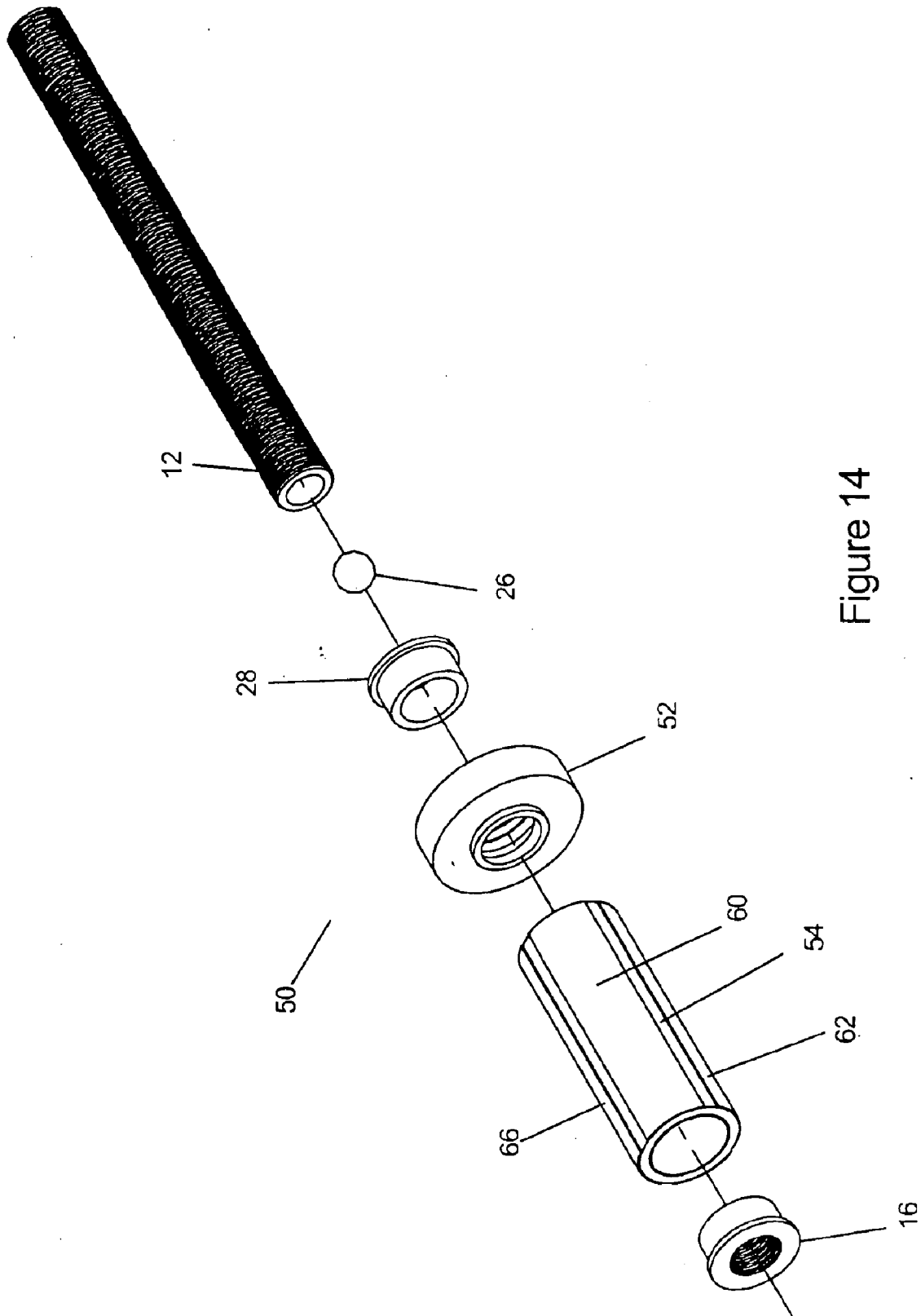


Figure 14

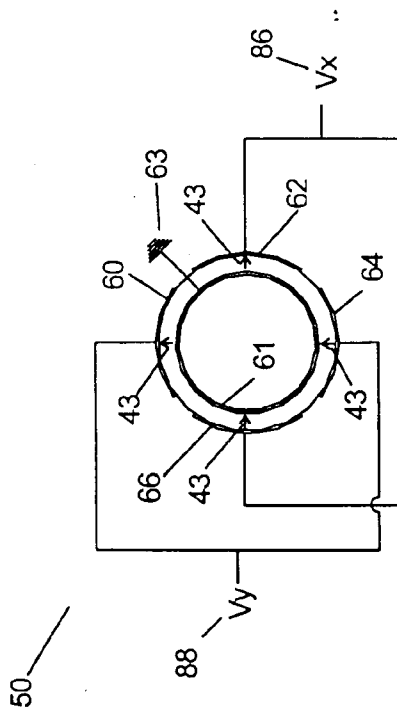


Figure 16

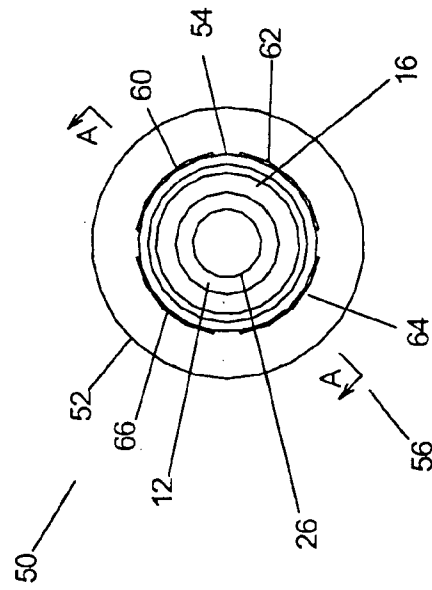


Figure 15

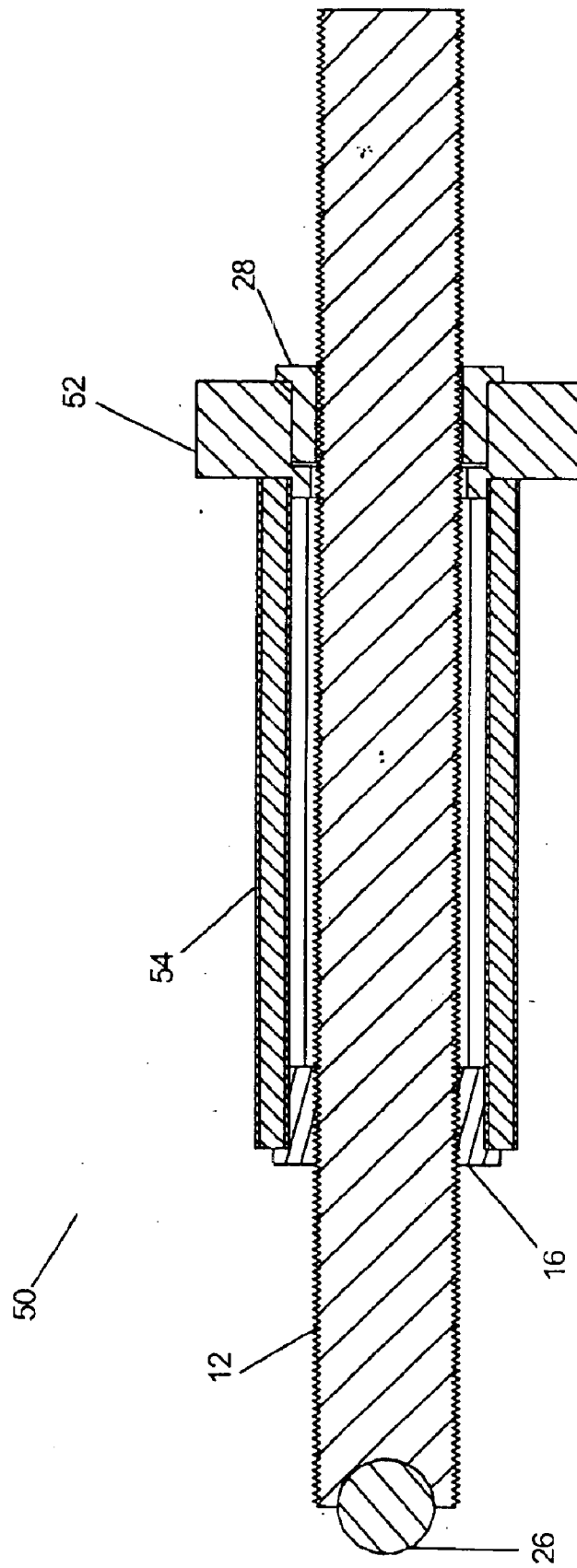


Figure 17

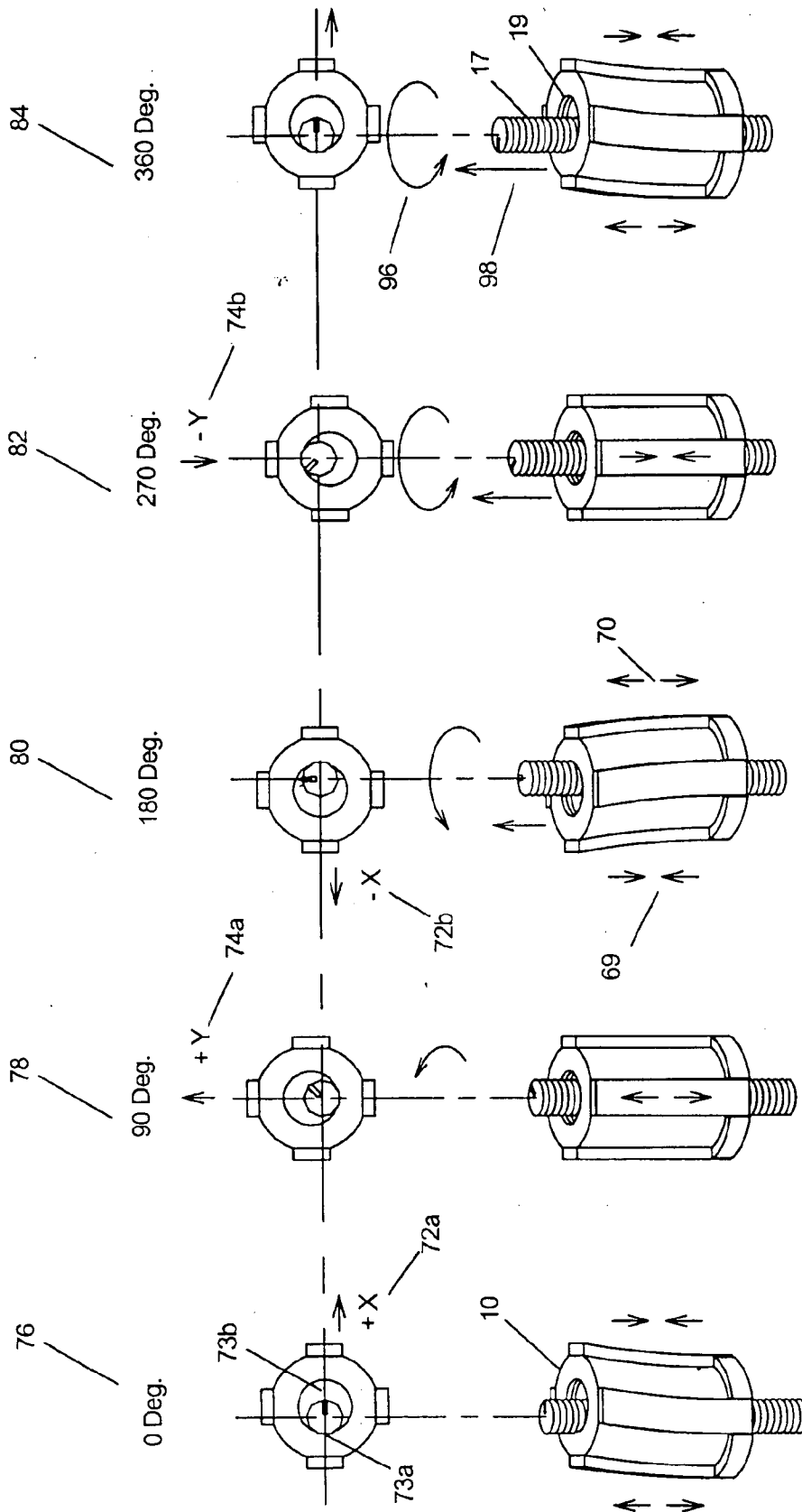


Figure 18

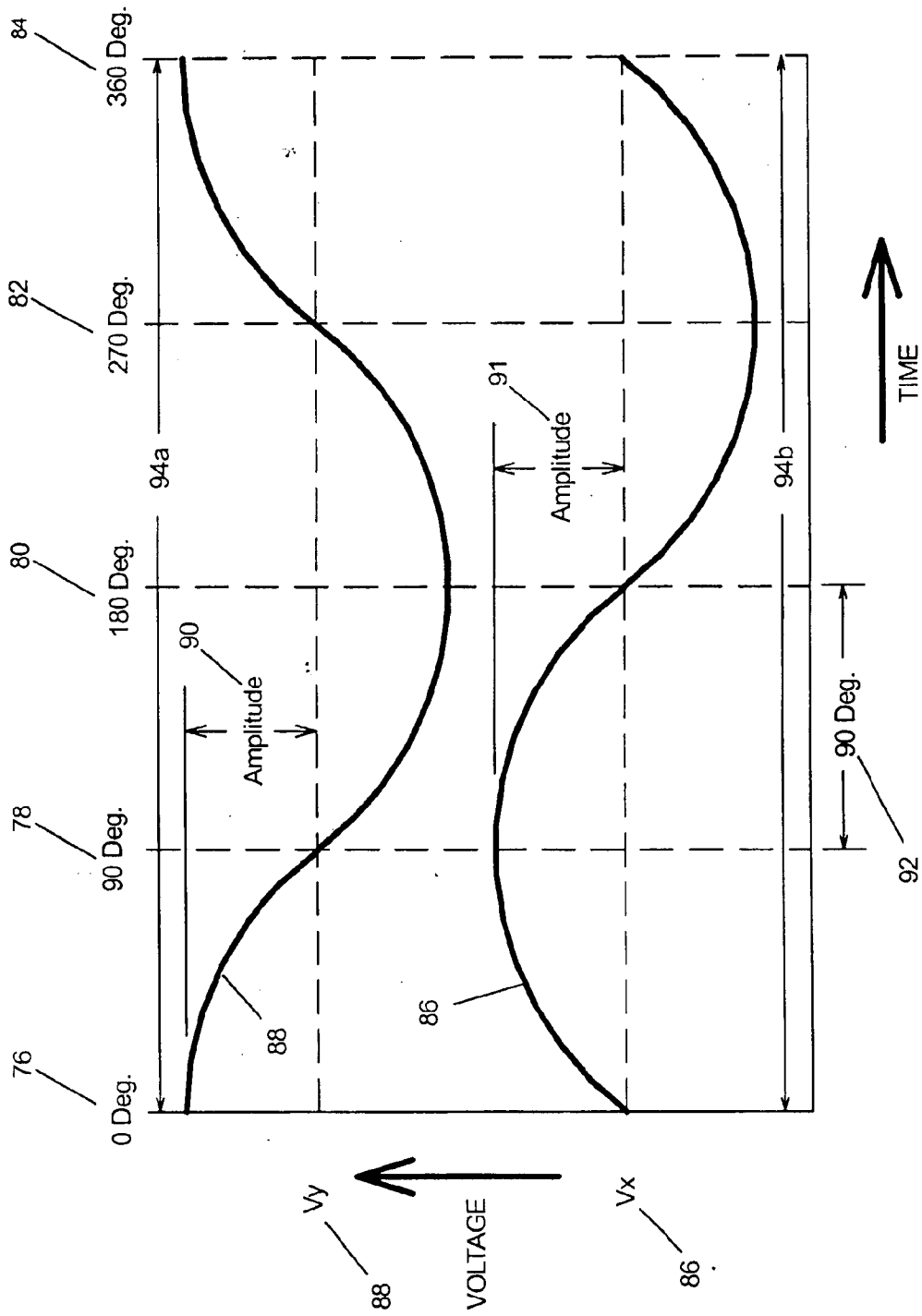


Figure 19

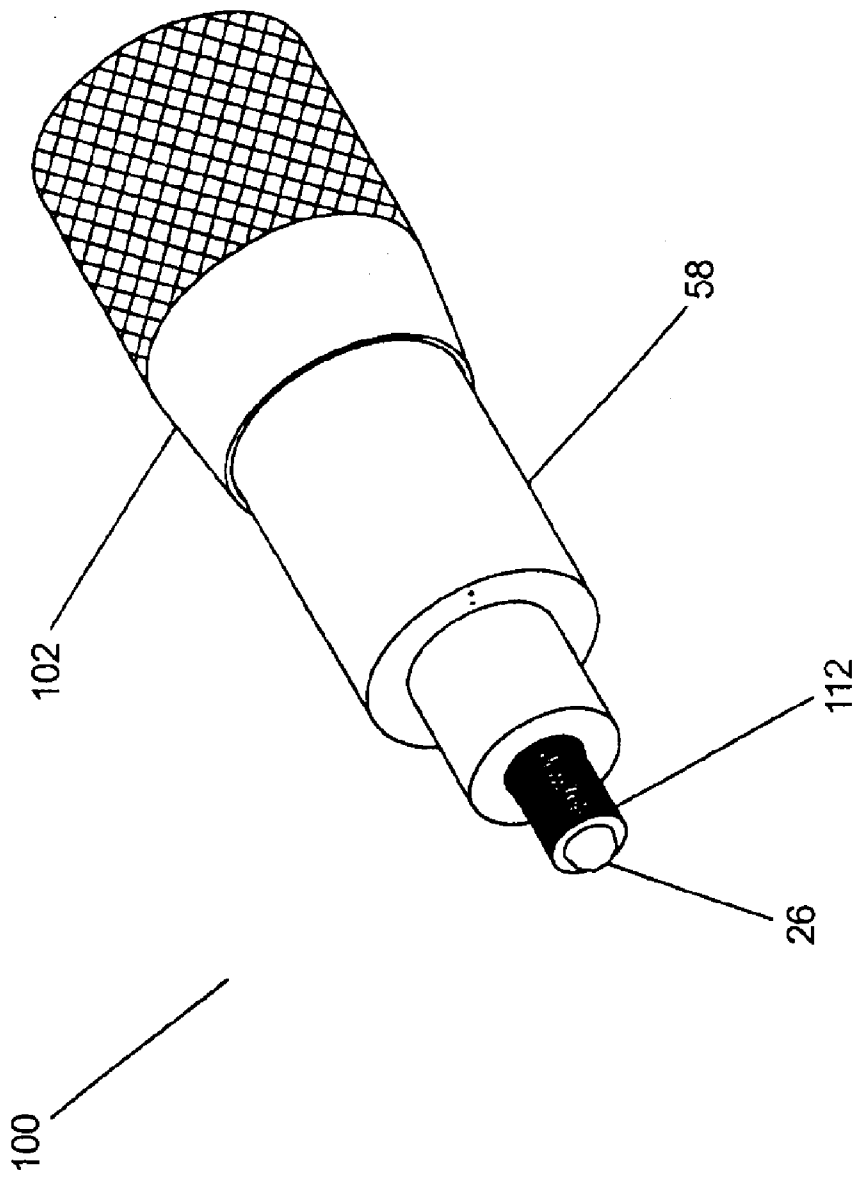


Figure 20

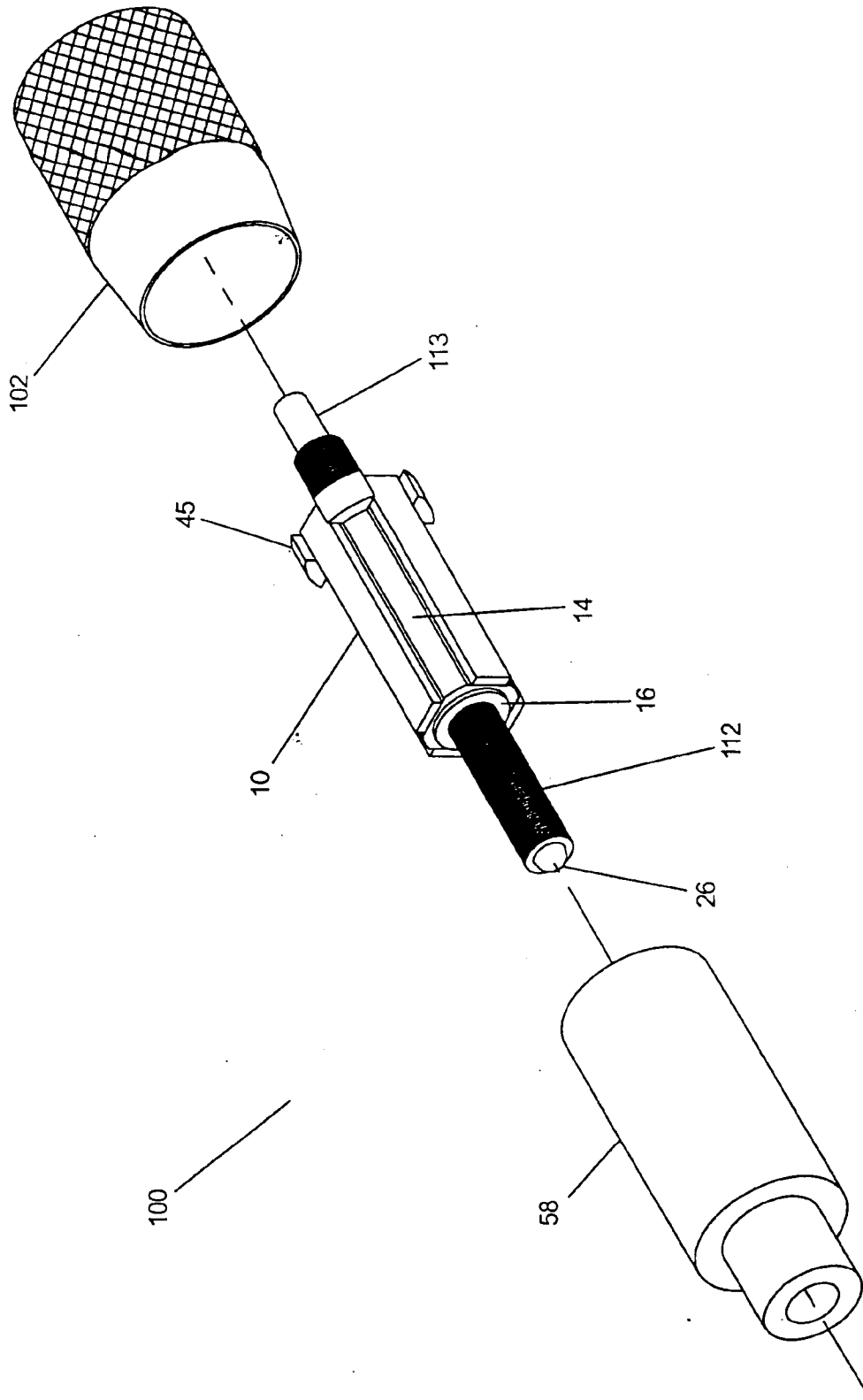


Figure 21

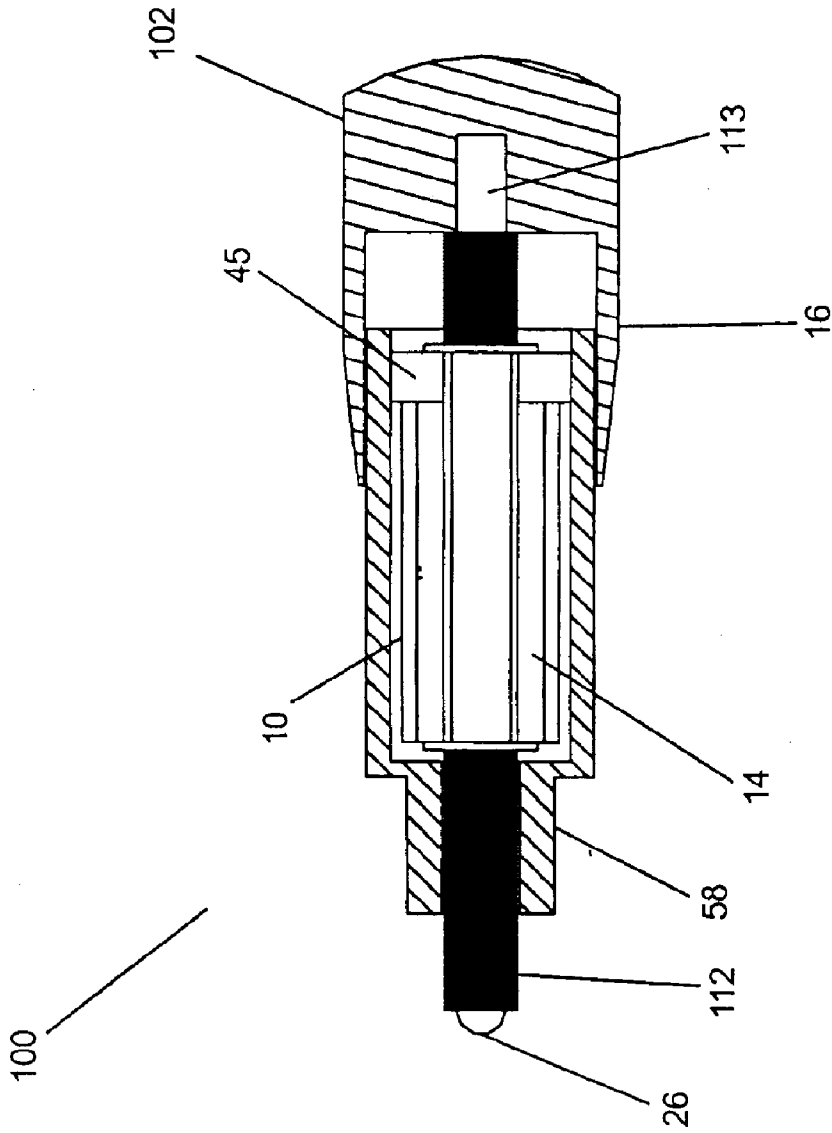


Figure 22

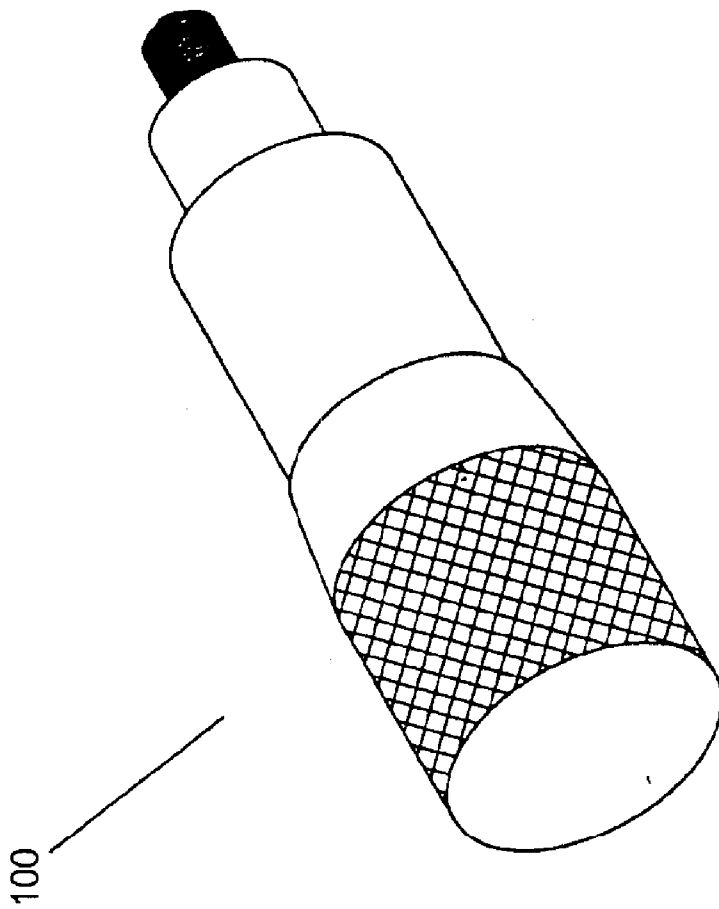


Figure 23A

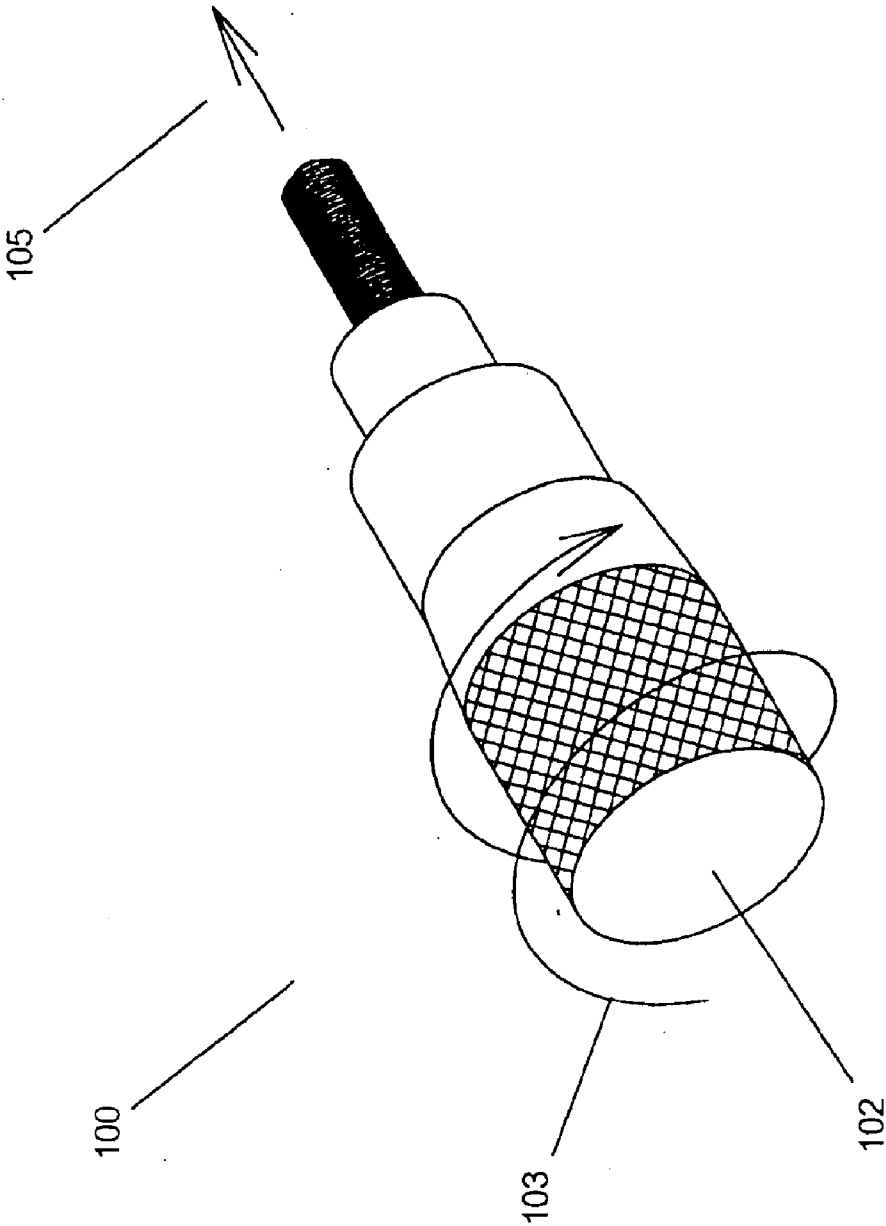


Figure 23B

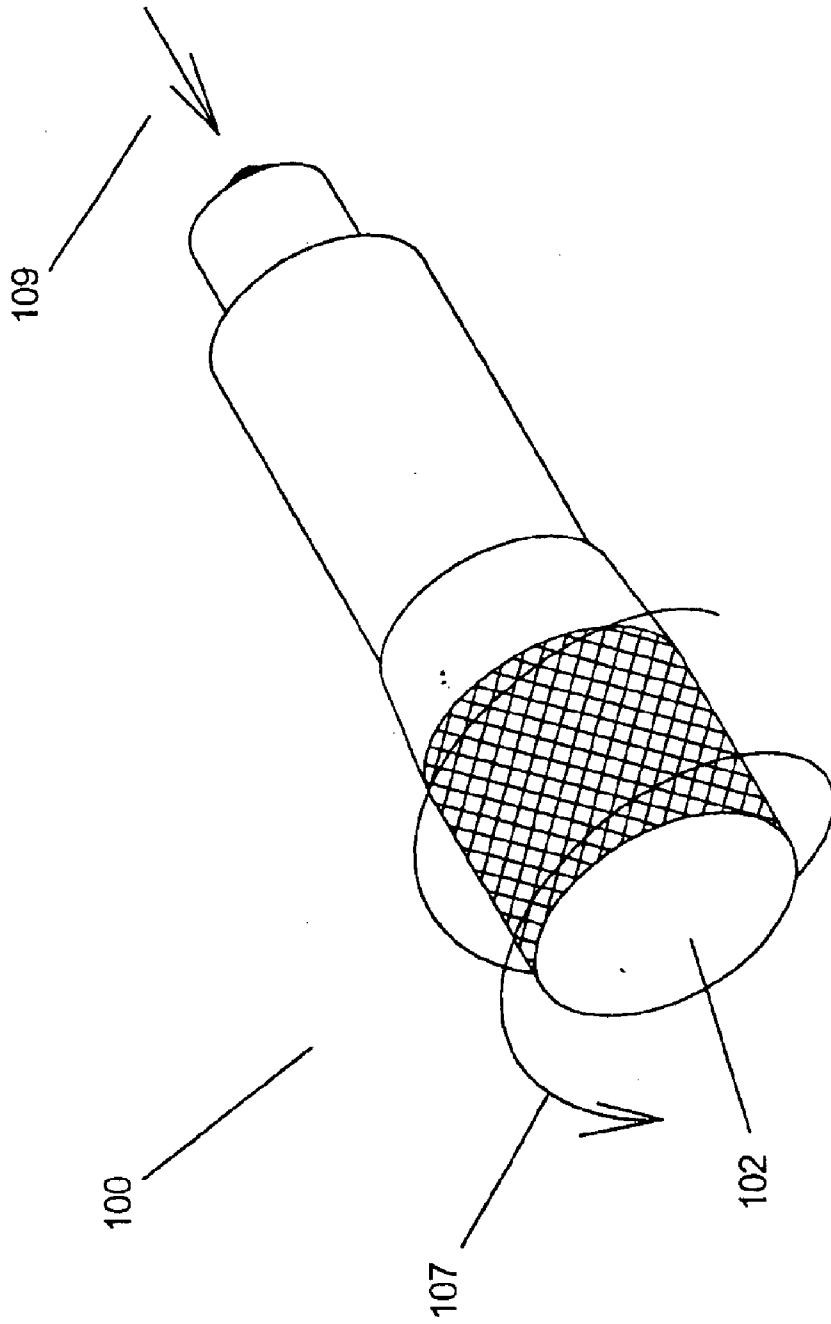


Figure 23C

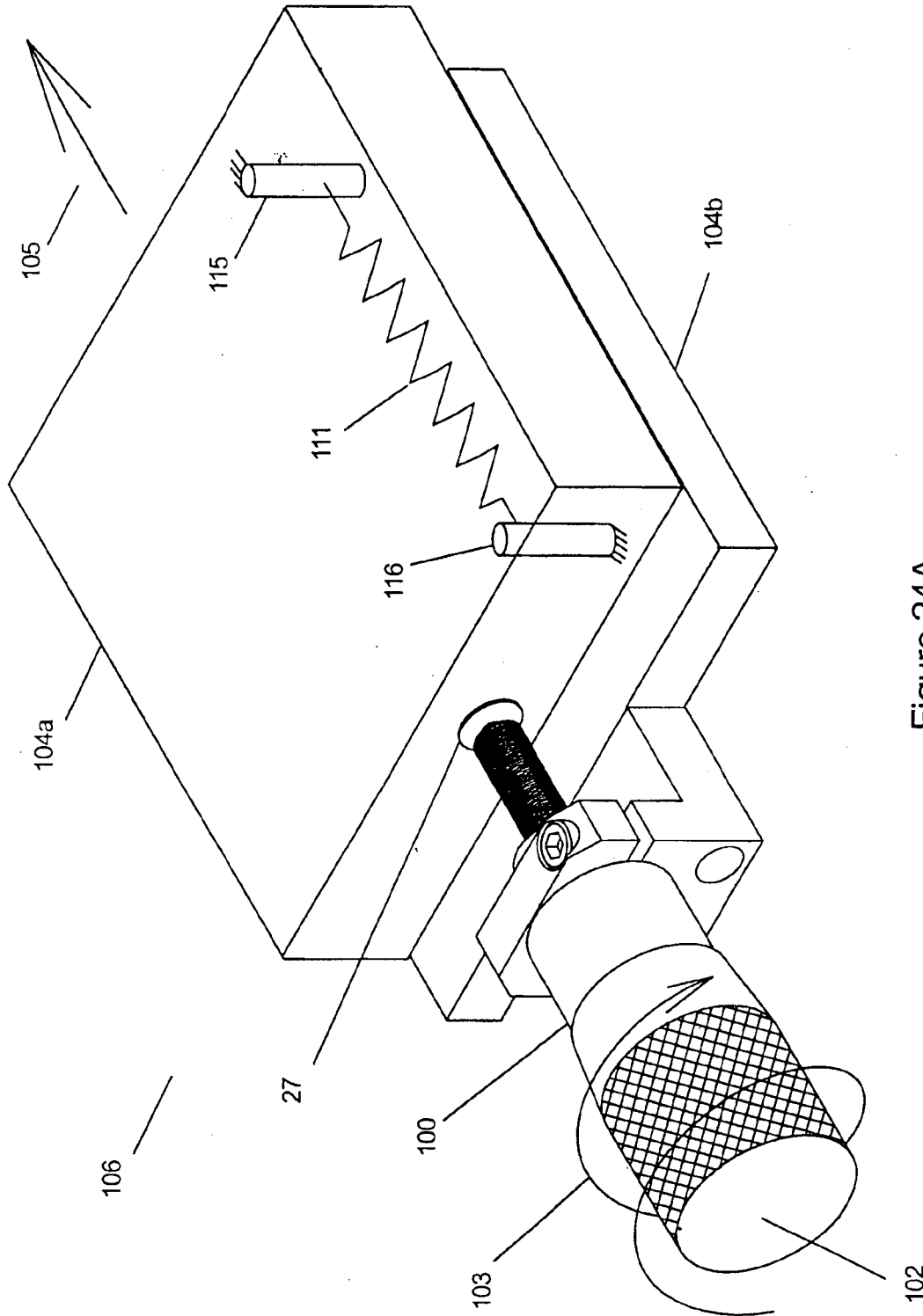


Figure 24A

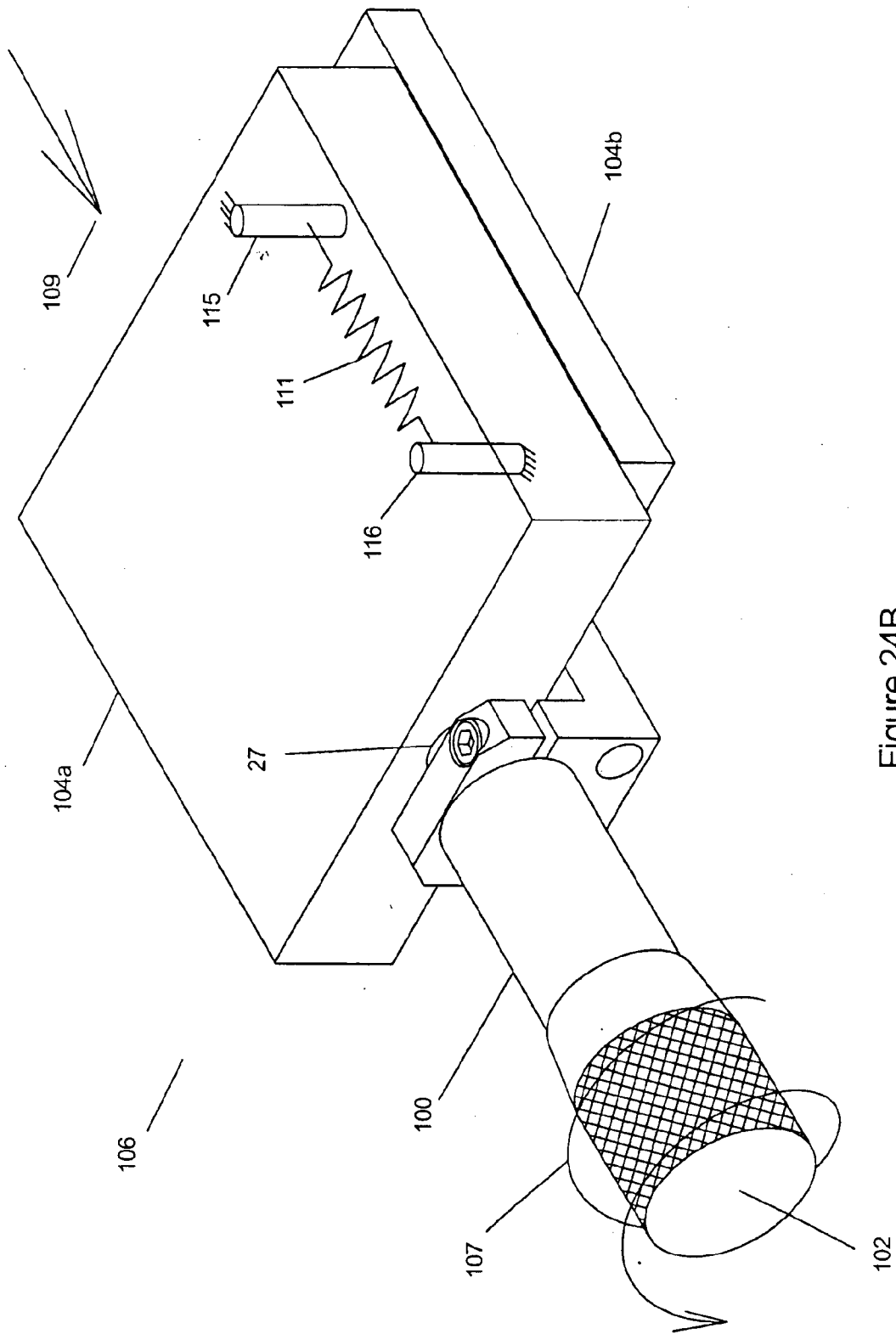


Figure 24B

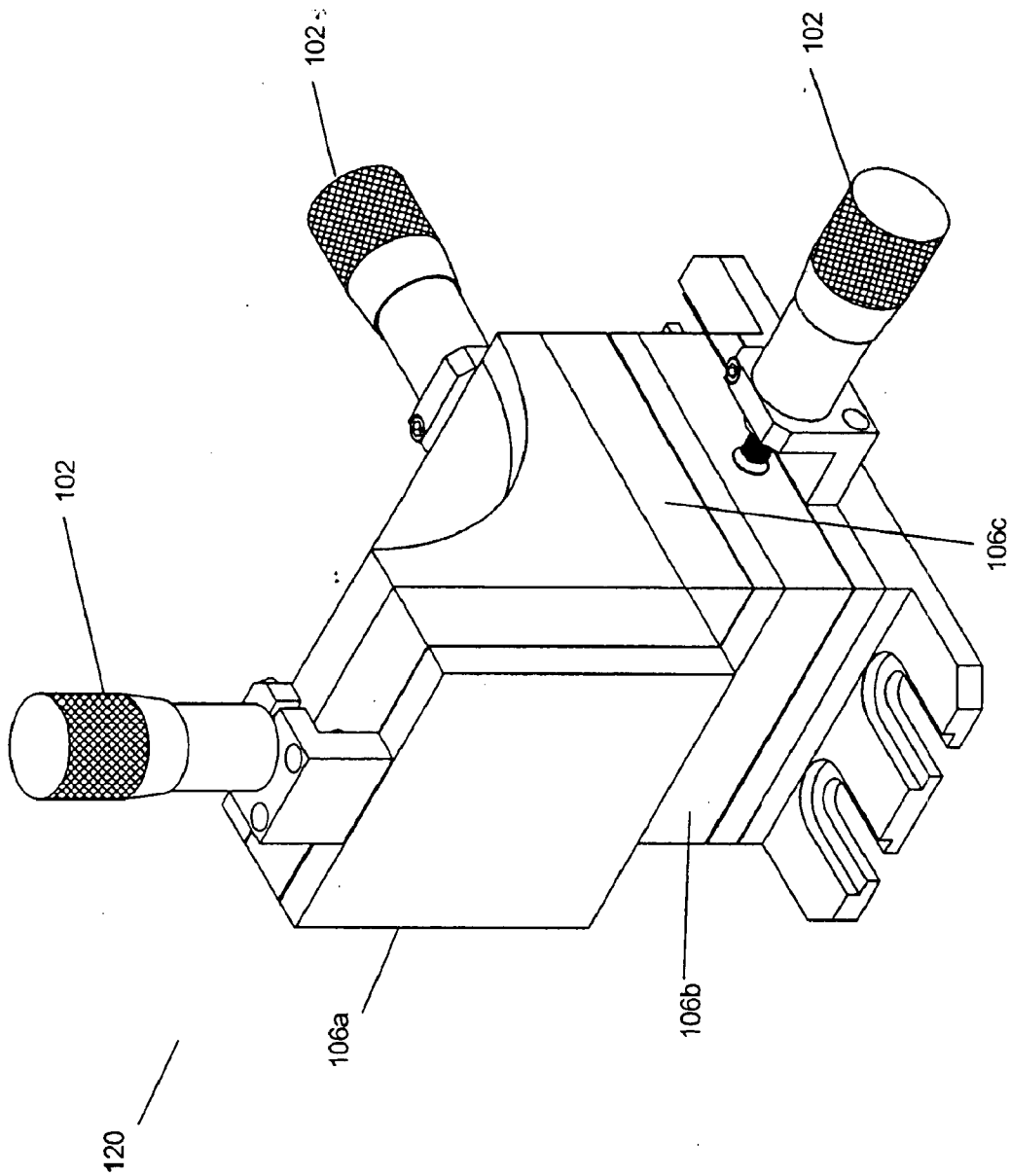


Figure 25

ULTRASONIC LEAD SCREW MOTOR

FIELD OF THE INVENTION

A miniature ultrasonic linear motor assembly comprised of a threaded shaft and, engaged, therewith, a nut.

BACKGROUND OF THE INVENTION

Transducers using piezoelectric electrostrictive, electrostatic, or electromagnetic technologies are very useful for precise positioning at the nanometer scale. In the case of a piezoelectric device, the ceramic is formed into a capacitor that changes shape when charged and discharged creating a force transducer or position actuator. When used as a position actuator, the shape change of the piezoelectric ceramic is approximately proportional to the applied voltage. Piezoelectric actuators are limited in range to about 0.1 percent of the length of the ceramic which corresponds to typical stroke lengths of tens of micrometers. While the high stiffness and nanometer precision of piezoelectric actuators is very useful, more stroke is needed for many applications.

Numerous piezoelectric motor designs have been developed to "rectify" small ceramic shape changes and generate longer stroke.

A PZT stepping motor is described in U.S. Pat. No. 3,902,084; the entire disclosure of this United States patent is hereby incorporated by reference into this specification. This motor uses a clamp-extend-clamp-retract operating sequence to add together many short PZT actuator cycles. This stepping linear actuator operates at frequencies from DC to several kilohertz, which produces loud noise and vibration. Position is not maintained when power is off. Resolution better than one nanometer is achieved over 200 millimeters of travel.

A PZT inertial stick-slip motor is described in U.S. Pat. No. 5,410,206; the entire disclosure of this United States patent is hereby incorporated by reference into this specification. This motor rotates a fine-threaded shaft using a split nut, which forms "jaws" that grip the shaft on opposite sides. A PZT actuator rapidly moves the jaws in opposite directions with an asymmetric alternating current drive signal. Fast jaw movements overcome the clamping friction and create slippage. Slower jaw movements do not slip and rotate the shaft. This stick-slip motor makes similar noise and vibration as the above stepping motor but moves 100 times slower and holds position when power is turned off. Resolution better than 50 nanometers is achieved over 25 millimeters of travel.

Ultrasonic motors use piezoelectric-generated vibrations to create continuous movement with high speed, high torque, small size and quiet operation.

One of the earliest ultrasonic piezoelectric motors is described in U.S. Pat. No. 3,176,167; the entire disclosure of this United States patent is hereby incorporated by reference into this specification. This unidirectional rotary motor uses a quartz crystal oscillator to move a thin rod and drive a ratchet wheel with the objective of driving a clock mechanism.

An example of a standing wave ultrasonic motor is described in U.S. Pat. No. 5,453,653; the entire disclosure of this United States patent is hereby incorporated by reference into this specification. This motor uses a rectangular PZT plate to generate ultrasonic oscillations of a contact point that is preloaded against a moving surface. The electrode pattern on the PZT plate is connected to an alternating

current signal and generates two-dimensional oscillations of the contact tip with the required amplitude and phase to generate a net force against the mating surface. This ultrasonic motor is quiet and 100 times faster than a stepping motor while producing about one third of the force. Generally ultrasonic motors are difficult to stop and start which limits precision. An encoder with closed-loop control is typically required to achieve sub-micrometer resolution.

A device for driving a threaded rod using ultrasonic vibrations is described, e.g., in U.S. Pat. No. 6,147,435 of Katsuyuki Fujimura; the entire disclosure of this patent is hereby incorporated by reference into this specification. This patent discloses and claims: ". . . A mechanism for driving a screw rod by supersonic vibration, comprising: a screw rod provided with a groove portion formed helically along an axial direction thereof; a pair of stands rotatably holding opposite ends of said screw rod; a work rack partially surrounding said screw rod and slidable in the axial direction of said screw rod; at least one first screw rod rotation device secured on one side of said work rack and extending from said work rack to said screw rod, said at least one first screw rod rotation device comprising a first vibrator contacting with said groove portion of said screw rod at a first specific angle, a first spring urging said first vibrator toward said groove portion of said screw rod at a specific pressure and a first piezoelectric actuator for vibrating said first vibrator upon electrical activation to rotate said screw rod in a first rotational direction; and at least one second screw rod rotation device secured on another side of said work rack and extending from said work rack to said screw rod, said at least one second screw rod rotation device comprising a second vibrator contacting with said groove portion of said screw rod at a second specific angle opposite said first specific angle, a second spring urging said second vibrator toward said groove portion of said screw rod at a specific pressure and a second piezoelectric actuator for vibrating said second vibrator upon electrical activation to rotate said screw rod in a second direction."

The device of U.S. Pat. No. 6,147,435 requires both a "first screw rod rotation device" and a "second screw rod rotation device"; these are illustrated in FIG. 3, e.g., as elements **16a'** and **16d'** (which comprise such first screw rod rotation device), and as elements **16b'** and **16c'** (which comprise such second screw rod rotation device.) Referring again to U.S. Pat. No. 6,147,435, when elements **16a'** and **16d'** are activated by ultrasonic vibration, the screw rod **2** is caused to rotate in one direction; and when elements **16b'** and **16c'** are activated by ultrasonic vibration, the screw rod **2** is caused to rotate in the opposite direction.

The elements **16a'/16d'**, and **16b'/16c'** are never activated simultaneously; to do so would waste energy and cause the screw rod **2** to remain stationary.

However, even when such elements **16a'/16d'** and **16b'/16c'** are not activated simultaneously, there is a waste of energy. The inactive pair of elements still are contiguous with the threads on screw rod **2** and, thus, cause drag friction.

This drag friction is a problem with the device of U.S. Pat. No. 6,147,435. As is described in claim **2** of the patent, and in order to somewhat solve this problem, with the device of such patent ". . . when one of said first and second piezoelectric actuators is electrically activated, a very small amount of electric current is supplied to the other of said first and second piezoelectric actuators." The efficiency of the device of U.S. Pat. No. 6,147,435 is not very high.

It is an object of this invention to provide a mechanism for driving a threaded shaft by ultrasonic vibration that has a

substantially higher efficiency than that of U.S. Pat. No. 6,147,435 while providing higher precision, force, and speed than is typically achieved by other ultrasonic motors of a similar size.

SUMMARY OF THE INVENTION

In accordance with this invention, there is provided an apparatus for driving a threaded shaft assembly comprised of a threaded shaft and, engaged therewith, a nut. The assembly contains means for subjecting said nut to ultrasonic vibration and thereby causing said shaft to simultaneously rotate and translate in the axial direction. The assembly also is comprised of means for applying an axial force upon said shaft.

BRIEF DESCRIPTION OF THE DRAWINGS

The invention will be described by reference to this specification, the appended claims, and the drawings, wherein like numerals refer to like element, and wherein:

FIGS. 1 through 6 show a motor containing four rectangular piezoelectric plates wherein FIG. 1 is a perspective view of such motor,

FIG. 2 is an exploded view of such motor,

FIG. 3 is an end view of such motor,

FIG. 4 shows the electrical connections to such motor,

FIG. 5 is cross sectional view of motor taken along lines A—A (30) of FIG. 3,

FIG. 5A shows a magnified scale view (47 on FIG. 5) of the thread engagement with external preload and the motor off,

FIG. 5B show the same magnified scale view in FIG. 5A with the motor operating, and

FIG. 6 is a cross section view taken along lines B—B (32) of FIG. 3;

FIGS. 7 through 12 illustrate a motor containing four piezoelectric stacks wherein: FIG. 7 is a perspective view of such motor, FIG. 8 is an exploded view of such motor, FIG. 9 is an end view of such motor, FIG. 10 shows the electrical connections to such motor, FIG. 11 is cross section view taken along lines A—A (48) of FIG. 9, and FIG. 12 is cross section view taken along lines B—B (46) of FIG. 9;

FIGS. 13 through 17 illustrate a motor containing a piezoelectric tube with four outer electrodes wherein: FIG. 13 is a perspective view of such motor, FIG. 14 is an exploded view of such motor, FIG. 15 is an end view of such motor, FIG. 16 shows the electrical connections to such motor, FIG. 17 is cross sectional view taken along lines A—A (56) of FIG. 15;

FIG. 18 is a schematic illustration of the orbital movement of threaded nut for the motor of FIG. 1 showing the rotation and translation of the threaded shaft;

FIG. 19 is a schematic illustration of the electrical drive signals required to create the movements shown in FIG. 18;

FIG. 20 through 25 show applications of the motor of FIG. 1 packaged and integrated with linear stages, wherein: FIG. 20 is a perspective view of the motor assembly, FIG. 21 is an exploded view of the motor assembly, FIG. 22 is a cross section view of the motor assembly, FIG. 23A is a perspective view of the motor assemble with a reverse view from FIG. 20, FIG. 23B is a perspective view that illustrates of how the motor assembly rotates and translates in the forward direction, FIG. 23C is a perspective view that illustrates how the motor assembly rotates and translates in the reverse direction, FIG. 24A shows the motor assembly

integrated in a linear stage operating in the forward direction, FIG. 24B shows the motor assembly integrated in a linear stage operating in the reverse direction and FIG. 25 shows the motor assembly integrated in a three-axis stage system.

DESCRIPTION OF THE PREFERRED EMBODIMENTS

In one embodiment of this invention, a miniature ultrasonic linear motor rotates a lead screw to produce linear movement. A cylinder supports a threaded nut with a first bending mode resonant frequency in the ultrasonic range. The cylinder and nut are excited at this resonant frequency by transducers that cause the nut to orbit at the end of the cylinder. The transducers may be piezoelectric, electrostrictive, electrostatic, electromagnetic or any device that can stimulate the resonant vibration. At least two transducers are required to simultaneously excite the orthogonal bending modes of the cylinder with a plus or minus 90-degree phase shift and create a circular orbit. A close-fitting threaded shaft is installed inside the nut. A resilient axial load is applied to the shaft through a low friction coupling. The nut orbits at its resonant frequency, and the shaft's inertia keeps it centered. The orbit of the nut generates torque that rotates the shaft and creates linear movement. At least two alternating current drive signals are required for the transducers. The drive frequency must excite the mechanical frequency and control phase to achieve a circular nut orbit. Modulation of drive signal amplitude and duration control velocity. Phase shift between the drive signals may be positive or negative, which reverses the direction of the nut orbit and the shaft rotation/translation. This embodiment, and other preferred embodiments, will be described in greater detail in the remainder of this specification.

Without wishing to be bound to any particular theory, applicant believes that the operating principle of one of his ultrasonic linear actuators is the excitation of the first bending resonance of a cylindrical tube, which causes one or both ends of the tube to orbit around the cylindrical axis without rotating. In this embodiment, one end of the tube houses a threaded nut that also orbits around a mating threaded shaft and imparts a tangential force via friction thus rotating the threaded shaft as it orbits. The friction in the threads is helpful because it directly drives the screw. This is in strong contrast to conventional lead screw drives, where the thread contact friction is parasitic and creates windup, backlash and slow response. Another significant advantage of helical threads used in this embodiment is the direct conversion of rotation to translation with large mechanical advantage, which magnifies axial force and reduces linear speed and, as a result, increases precision.

In this embodiment, a transducer both either within or outside of the load path is preferably used to excite the first bending mode. Examples of transducers that can be used are, e.g., piezoelectric elements and stacks, magnetostrictive materials, and electrostatic materials to name a few. This list does not include all transducer materials, but it should be understood that any such material or mechanism that could be used to excite the first bending resonance of a cylindrical tube or similarly shaped block and achieve the orbit of one or both tube ends is embodied in this patent. The embodiments described herein use piezoelectric material but could just as easily be embodied with an alternate transducer material described above.

Referring to FIGS. 1 through 6, and in the preferred embodiment depicted therein, an ultrasonic linear motor

5

is depicted. In the embodiment depicted, four rectangular piezoelectric plates are used to generate ultrasonic vibrations. In another embodiment, not shown in FIG. 1, other means may be used to generate ultrasonic vibrations.

As used in this specification, the term ultrasonic refers to an operating frequency in excess of 20,000 Hertz. In one embodiment, the operating frequency is at least about 25,000 Hertz. In another embodiment, the operating frequency is at least about 50,000 Hertz. In yet another embodiment, the operating frequency is at least about 100,000 Hertz.

As used in this specification, the term linear motor refers to an actuator that produces movement in a substantially straight line by generating force and/or displacement. Reference may be had, e.g., to U.S. Pat. No. 5,982,075 (ultrasonic linear motor), U.S. Pat. No. 5,134,334 (ultrasonic linear motor), U.S. Pat. No. 5,036,245 (ultrasonic linear motor), U.S. Pat. No. 4,857,791 (linear motor), and the like. The entire disclosure of each of these United States patents is hereby incorporated by reference into this specification.

Referring again to FIGS. 1 through 6, and in the preferred embodiment depicted therein, it will be seen that a threaded shaft 12 with a spherical ball tip 26 rotates and produces axial force and motion

The threaded shaft 12 is preferably movably disposed within a housing 14. The length 15 of threaded shaft 12 (see FIG. 5) preferably exceeds the length 13 of housing 14 by at least about 10 millimeters. In one embodiment, length 15 exceeds length 13 by at least 25 millimeters. In another embodiment, length 15 exceeds length 13 by at least 50 millimeters.

In one embodiment, the threaded shaft 12 has a first natural frequency that is less than about 0.2 times as great as the first natural frequency of the housing 14. In another embodiment, the first natural frequency of the threaded shaft 12 is less than about 0.1 times as great as the first natural frequency of the housing 14.

As used herein, the term first natural frequency refers to frequency of the first normal mode of vibration; see, e.g., page 1253 of the McGraw-Hill Dictionary of Scientific and Technical Terms, Fourth Edition (McGraw-Hill Book Company, New York, N.Y., 1989). Reference also may be had to pages 5-59 to 5-70 ("Natural Frequencies of Simple Systems) of Eugene A. Avallone et al.'s "Mark's Standard Handbook for Mechanical Engineers" (McGraw-Hill Book Company, New York, N.Y., 1978). Reference also may be had to U.S. Pat. Nos. 6,125,701, 6,591,608, 6,525,456, 6,439,282, 6,170,202, 6,101,840, and the like; the entire disclosure of each of these United States patents is hereby incorporated by reference into this specification.

In the embodiment depicted in the Figures, an orbital movement of nut 16 is created by the presence of two normal modes of vibration that are acting orthogonal to each other in planes parallel to the axis centerline (see FIG. 2), as is best illustrated in FIG. 18. These two orthogonal normal modes of vibration are provided by the interaction of the activated transducers (such as, e.g., plates 18, 20, 22, and 24) and the housing 14; and such interaction causes orbital movement of the nut 16 which, in turn, causes rotation and translation of threaded shaft 12.

In one embodiment, the first natural resonance frequency of nut 16 is preferably at least five times as great as the operating frequency of motor assembly 10. It is thus preferred that nut 16 be a substantially rigid body.

In one embodiment, the threaded shaft 12 is fabricated from metal that is substantially stainless steel. In this

6

embodiment, the threaded shaft 12 engages with a threaded nut 16 which, is fabricated from metal that is substantially brass.

As will be apparent, it is preferred to use combinations of materials for the threaded shaft 12 and the threaded nut 16 so that abrasion and galling are minimized. Other combinations of materials that will also minimize such abrasion and galling may be used in the invention.

Referring again to FIG. 1, it will be seen that threaded shaft 12 is comprised of a multiplicity of threads 17, preferably in the form of a helical groove. In one embodiment, the threads 17 have a pitch lower than about 250 threads per inch and, preferably, less than about 200 threads per inch. In another embodiment, the threads 17 have pitch lower than about 100 threads per inch. In one aspect of this embodiment, the threads 17 have a pitch of from about 40 to about 80 threads per inch.

The threads 17 are preferably engaged with interior threads 19 of nut 16, as is best illustrated in FIG. 18. In one preferred embodiment, the pitch of interior threads 19 is substantially equal to the pitch of exterior threads 17.

Although, for the purposes of simplicity of illustration, the threads 17 and 19 are shown totally engaged, (except for FIGS. 5A, 5B and 18) there is preferably a diametrical clearance between threads 17 and 19 of less than about 0.5 times the thread depth 33/35 of threads 17 and/or threads 19. This diametrical clearance is best illustrated in FIG. 5A. Means for determining this diametrical clearance are well known. Reference may be had, e.g., to U.S. Pat. Nos. 6,145,805, 5,211,101, 4,781,053, 4,277,948, 6,257,845, 6,142,749, and the like; the entire disclosure of each of these United States patents is hereby incorporated by reference into this specification. Reference also may be had, e.g., to pages 8-9 et seq. ("Machine Elements") of the aforementioned "Marks Standard Handbook for Mechanical Engineers."

Referring to FIG. 5A, one preferred mode of engagement between threads 17 and 19 is illustrated. As will be seen from this Figure, each of threads 17 has a tip 29, and each of threads 19 has a tip 31. Additionally, each of threads 17 and 19 has a thread depth, 33 and 35, respectively.

Referring again to FIG. 1, and in the preferred embodiment depicted therein, it will be seen that rotation of the threaded shaft 12 is produced by ultrasonic orbits of the threaded nut 16 connected to a vibrating housing 14. In the embodiment depicted, the threaded nut 16 is preferably connected to the housing 14. This is best illustrated in FIG. 2.

Referring to FIG. 2, and in the preferred embodiment depicted therein, it will be seen that nut 16 is disposed within orifice 11. The nut 16 is secured within orifice 11 by conventional means such as, e.g., a press fit, and/or adhesive means, etc.

In the preferred embodiment depicted in FIGS. 1 and 2, nut 16 is a cylindrical nut. In another embodiment, not shown, nut 16 is a polygonal nut that may have a square shape, a hexagonal shape, an octagonal shape, etc.

Referring again to FIGS. 1 and 2, and in the preferred embodiment depicted therein, it will be seen that a multiplicity of ceramic plates 18 et seq. are attached to the outside surface 37 of the housing 14.

It is preferred that the ceramic plates 18 et seq. change their respective lengths upon being subjected to a electrical voltage and, in particular, to a change in electrical voltage. As used therein, and as is described elsewhere in this

specification, these ceramic plates may be described as “active ceramic plates.” In one embodiment, the active ceramic plates **18** et seq. are selected from the group consisting of piezoelectric plates, electrostrictive plates, and mixtures thereof. For the sake of simplicity of discussion, the embodiments of at least FIGS. **1** and **2** will be described with reference to piezoelectric plates.

In the embodiment depicted in FIG. **2**, four piezoelectric plates **18**, **20**, **22**, and **24** are bonded to the outside surface **37** of the housing and generate the nut **16** orbital vibrations when excited by alternating electrical drive signals on electrodes **21** and **23** on each piezoelectric plate (see FIG. **4**).

In one embodiment, only two such piezoelectric plates are used, plates **18** and **20**. In another embodiment, eight or more piezoelectric plates are used. Regardless of how many such piezoelectric plates are used, a sufficient number of such plates are used to excite motion in orthogonal planes **39** and **41** (see FIG. **2**).

For the sake of simplicity of representation, four piezoelectric plates **18**, **20**, **22**, and **24** will be discussed. These plates are preferably bonded to the corresponding exterior surfaces **37** of housing **14** so that the plates are completely contiguous with such exterior surfaces **37**.

The piezoelectric plates **18** et seq. are connected to a source of electrical voltage by electrodes **21** and **23**, as is best shown in FIG. **4**. As will be apparent, and for the sake of simplicity of representation, the connection of electrodes **21** and **23** is shown only with reference to piezoelectric plate **20**, it being understood that comparable connections are made with respect to the other piezoelectric plates.

Referring to FIG. **4**, and to the preferred embodiment depicted therein, it will be seen that all four inside electrodes **23** are connected to ground **25**. In this embodiment, the piezoelectric material is a commonly available “hard” composition with low dielectric losses and high depoling voltage. Thus, for example, one may use a piezoelectric material sold as “PZT-4” by the Morgan Matroc company of Bedford, Ohio. This preferred material typically has several important properties.

Thus, the preferred material preferably has a dielectric loss factor of less than about 1 percent at a frequency greater than about 20,000 Hertz and, preferably, less than about 0.5 percent. In one embodiment, the dielectric loss factor is about 0.4 percent at a frequency greater than about 20,000 Hertz.

Thus, the preferred material has a d33 piezoelectric charge coefficient of at least about 250 picoCoulomb/Newton’s and, preferably, at least about 270 picoCoulomb/Newton’s. In one embodiment, the preferred material has a d33 piezoelectric charge coefficient of about 285 picoCoulomb/Newton’s.

Thus, the preferred material has a d31 piezoelectric charge coefficient of at least about—90 picoCoulomb/Newton’s and, more preferably, at least about —105 picoCoulomb/Newton’s. In one embodiment, the d31 piezoelectric charge coefficient is about —115 picoCoulomb/Newton’s.

In one embodiment, the preferred material is a single crystal material with a d33 piezoelectric charge coefficient of at least about 2500 picoCoulomb/Newton’s, and a d31 piezoelectric charge coefficient of at least about 900 picoCoulomb/Newton’s.

For a discussion of some suitable materials, and by way of illustration and not limitation, reference may be had, e.g., to U.S. Pat. Nos. 3,736,532 and 3,582,540. The entire

disclosure of each of these United States patents is hereby incorporated by reference into this specification.

By way of further illustration, and as is known to those skilled in the art, low dielectric-loss piezoelectric materials are known to those skilled in the art. Reference may be had, e.g., to U.S. Pat. No. 5,792,379 (low-loss PZT ceramic composition); the entire disclosure of this United States patent is hereby incorporated by reference into this specification.

In one embodiment, the piezoelectric material is a single crystal piezoelectric material. These materials are known in the art. Reference may be had, e.g., to U.S. Pat. Nos. 5,446,330, 5,739,624, 5,814,917, 5,763,983 (single crystal piezoelectric transformer), U.S. Pat. Nos. 5,739,626, 5,127,982, and the like. The entire disclosure of each of these United States patents is hereby incorporated by reference into this specification.

Referring again to FIG. **4**, and in the preferred embodiment depicted therein, the axial length of the piezoelectric plates **18**, **20**, **22**, and **24** changes in proportion the applied voltage ($V_x/86$ and $V_y/88$) and the d_{31} piezoelectric charge coefficient.

As will be apparent, piezoelectric plates **18,22** and **20,24** work together in pairs, respectively, to bend the housing **14** (see, e.g., FIGS. **1** and **2**) and excite the orbital resonance. Alternating electric drive signals **86** and **88** are preferably applied to plates **20,24** and **18,22**, respectively, with poling directions **43**. As is well known to those skilled in the art, poling directions **43** are the directions in which the dipoles in the piezoelectric material are aligned during manufacture. Reference may be had, e.g., to U.S. Pat. No. 5,605,659 (method for poling a ceramic piezoelectric plate), U.S. Pat. No. 5,663,606 (apparatus for poling a piezoelectric actuator), U.S. Pat. No. 5,045,747 (apparatus for poling a piezoelectric ceramic), and the like. The disclosure of each of these United States patents is hereby incorporated by reference into this specification.

For each plate pair **18,22** and **20,24** the electric field is positive with respect to the poling direction **43** on one plate and negative with respect to the poling direction **43** on the opposite plate. Drive signal V_x **86** is preferably applied to plates **20,24** and produces simultaneous expansion on one plate and contraction on the opposite plate and thus bends the housing **14** in the plane **39** (see FIG. **2**), and in the X direction **72a/72b** (see FIG. **18**). In a similar manner the drive signal V_y **88** is applied to plates **18,22** and bends the housing **14** in the plane **41** (see FIG. **2**), and in the Y direction **74a/74b** (see FIG. **18**).

The housing end **45** opposite the threaded nut **16** preferably supports a guide bushing **28** with a small clearance between the bushing inside diameter and the outside diameter of the threaded shaft **12** (see FIG. **2**). The threaded shaft **12** supports a resilient axial force **27** (see FIGS. **5** and **6**) that is applied via the spherical ball tip **26** using a hard flat surface that produces low friction.

It is preferred that, during the operation of the motor **10**, the axial force **27** that is preferably transmitted through ball **26** be from about 0.1 to about 100 Newton’s. As will be apparent, the axial force **27** preferably is of similar magnitude to the output driving force. The spherical ball **26** (see FIG. **2**) is one means of coupling threaded shaft **12** to its load **27** (see FIG. **5**) with low frictional torque. As will be apparent to those skilled in the art, one may use other means for coupling motion from a rotating threaded shaft to a moving load. Thus, e.g., one may use a rolling element bearing, one may use an arcuate load contiguous with a flat

surface on threaded shaft **12**, etc. Reference may be had, e.g., to U.S. Pat. No. 5,769,554 (kinematic coupling method), U.S. Pat. No. 6,325,351 (highly damped kinematic coupling for precision instruments), etc.; the entire disclosure of each of these United States patents is hereby incorporated by reference into this specification.

Referring to FIGS. **1** and **2**, the end **45** of the housing **14** opposite the threaded nut **16** incorporates flanges that are the connection point for a stationary cover **58** (FIG. **21**). The thread pitch on the shaft **12** and on the nut **16** converts the orbital tangential force and movement to axial force and movement. The pitch may be selected to optimize the force magnification, speed reduction, resolution enhancement and off-power holding force.

Referring to FIGS. **7** through **12**, and in the preferred embodiment depicted therein, the ultrasonic linear motor **30** preferably uses four piezoelectric stacks **36**, **40** and **42** (also see FIGS. **7** and **8**) to generate ultrasonic vibrations. A threaded shaft **12** with a spherical ball tip **26** rotates and produces axial force and motion. The rotation is produced by an ultrasonic orbits of the threaded nut **16** connected to a vibrating cylinder **32**. Four piezoelectric stacks **36**, **38**, **40**, and **42** are bonded to the end of the cylinder opposite the threaded nut and bonded to the base ring **34**. The four stacks **36** et seq. are constructed using well-known assembly and electrical interconnection methods **44** with the inside stack leads preferably being connected together to a common ground **35**. The axial length of the stacks **36** et seq. changes in proportion to the applied voltage and the d_{33} piezoelectric charge coefficient. The piezoelectric material is a commonly available “hard” composition with low dielectric losses and high depoling voltage. Alternating electrical drive signals **86** and **88** are connected to the outside leads of each piezoelectric stack **44** and excite orbital vibrations of the nut. Piezoelectric stacks **36** and **40** and **38** and **42** work together in pairs, respectively, to rotate the tube and excite the orbital resonance. Alternating electric drive signals V_x **86** and V_y **88** are applied to stacks **38,42** and **36,40**, respectively, with poling directions **43**. For each stack pair **38,42** and **36,40**, the electric field is positive with respect to the poling direction **43** on one stack and negative with respect to the poling direction on the opposite stack. Drive signal V_x **86** is applied to stacks **38,42** and produces simultaneous expansion on one stack and contraction on the opposite stack; and thus it rotates the tube in the X direction **72a/72b** (see FIG. **18**). In a similar manner, the drive signal V_y **88** is applied to stacks **36,40** and moves the end of the tube in the Y direction **74a/74b** (see FIG. **18**). The base ring **34** opposite the threaded nut **16** supports a guide bushing **28** with a small clearance between the bushing inside diameter and the outside diameter of the threaded shaft. The threaded shaft **12** supports a compliant axial force **27** that is applied via the spherical ball tip **26** using a hard flat surface that produces low friction. The base ring **34** is the connection point for a stationary cover **58** (FIG. **21**). The thread pitch on the shaft **12** and nut **16** converts the orbital tangential force and movement to axial force and movement. The pitch may be selected to optimize the force magnification, speed reduction, resolution enhancement and off-power holding force.

Referring to FIGS. **13** through **17**, the ultrasonic linear motor **50** uses a piezoelectric tube **54** with quadrant electrodes to generate ultrasonic vibrations. A threaded shaft **12** with a spherical ball tip **26** rotates and produces axial force and motion. The rotation is produced by ultrasonic orbits of the threaded nut **16** connected to a vibrating piezoelectric tube **54**. The inside diameter of the tube is a continuous

electrode **61**, which is grounded **63**, and the outside diameter of the tube is divided into four separate electrodes **60**, **62**, **64**, and **66**. The piezoelectric material is a commonly available “hard” composition with low dielectric losses and high depoling voltage. The axial length of the portion of the piezoelectric tube beneath each electrode **60**, **62**, **64**, and **66** changes in proportion the applied voltage and the d_{31} piezoelectric charge coefficient. Electrode sections **60,64** and **62,66** work together in pairs respectively to bend the tube **54** and excite the orbital resonance. Alternating electric drive signals **86** and **88** are applied to plates **60,64** and **62,66**, respectively, with poling directions **43**. For each electrode pair **60,64** and **62,66**, the electric field is positive with respect to the poling direction on one electrode and negative with respect to the poling direction on the opposite electrode. Drive signal V_x **86** is applied to electrodes **60,64** and produces simultaneous expansion under one electrode and contraction under the opposite electrode; and thus it bends the tube in the X direction **72a/72b** (see FIG. **18**). In a similar manner the drive signal V_y **88** is applied to plates **62,66** and bends the tube in the Y direction **74a/74b** (see FIG. **18**).

The tube end opposite the threaded nut **16** is bonded to a base flange **52** and holds a guide bushing **28** with a small clearance between the bushing inside diameter and the outside diameter of the threaded shaft. The threaded shaft **12** supports a compliant axial force **27** that is applied via the spherical ball tip **26** using a hard flat surface that produces low friction. The base flange is the connection point for a stationary cover **58** (FIG. **21**). The thread pitch on the shaft **12** and nut **16** converts the orbital tangential force and movement to axial force and movement. The pitch may be selected to optimize the force magnification, speed reduction, resolution enhancement and off-power holding force.

Referring to FIGS. **18** and **19**, the motor **10** (see FIG. **1**) operation and corresponding drive signals **86** and **88** used to effect such operation are shown. The piezoelectric plate pairs work together, with one expanding **70** while the other simultaneously contracts **69**, to bend the housing. The alternating drive signals V_x **86** and V_y **88** are preferable sinusoidal with equal amplitude **90/91** and a ninety degree phase shift **92** to produce a circular orbit. A positive phase shift **92** produces a positive nut **16** orbit direction and a positive shaft **12** rotation **96/translation 98**, while a negative phase shift **92** produces a negative orbit direction and a negative shaft rotation/translation. A single orbital cycle of the motor, for one direction of rotation, and the corresponding drive signal amplitudes **90** and **91**, are shown sequentially in ninety degree increments **76**, **78**, **80**, **82** and **84**. The cylindrical bending and orbital movement is shown in the X **72a/72b** and Y **74a/74b** directions. The nut contacts the side of the threaded shaft at one location **73a** with a clearance **73b** on the opposite side (see FIG. **5B**), whereby the contact imparts tangential force and movement that causes the shaft **12** to rotate **96** and translate **98** a small amount for each orbital cycle. The amount of rotation and translation per cycle depends on many factors, including orbit amplitude, the magnitude of the force **27** acting on the shaft, and the coefficient of friction and surface finish of the threads. If a zero-slip condition is achieved between the contact **73a** of the nut and shaft, the movement per cycle is nominally proportional to the diametrical clearance between the threads. In general, as drive amplitudes **90** and **91** increase, the orbit diameter increases, the normal contact force between the shaft **12** and nut **16** increases, slippage decreases, speed increases, and torque/force increases.

The ultrasonic frequency is the inverse of the period (see periods **94a** and **94b** of FIG. **19**); and such ultrasonic

11

frequency is preferably the same for both signals and matches the first bending resonant frequency of the housing 14.

Referring to FIGS. 20 through 25 the motor assembly 100 is integrates motor 10 with cover 58 and knurled knob 102. A threaded shaft 112 is disposed within the motor 10. As is best shown in FIG. 21, the threaded shaft 112 is similar to threaded shaft 12 (see FIG. 1) but differs therefrom in having a smooth spindle 113 integrally attached thereto. The spindle 113 is adapted to be attached to knurled knob 102. Cover 58 is attached to motor 10 at flange 45. Knurled knob 102 rotates and translates with shaft 112 without contacting cover 58.

FIG. 21 is an exploded view of motor assembly 100. FIG. 22 is a sectional view of motor assembly 100.

FIGS. 23A, 23B and 23C illustrate the motor assembly 100. FIG. 23A is a perspective view of motor assembly 100 reversed from FIG. 20. FIG. 23B illustrates operation of motor assembly 100 with the knob 102 and shaft 112 rotating clockwise 103 and translating in direction of arrow 105. By comparison, FIG. 23C illustrates operation of motor assembly 100 with the knob 102 and shaft 112 rotating counter clockwise 107 and translating in direction of arrow 109.

As will be apparent, and for the sake of simplicity of representation, the physical means of electrical connection to the various components of the motor assemblies have been omitted from the Figures.

As will also be apparent, the presence of the knurled knob 102 allows one to move the motor assembly 100 by manual means instead of or in addition to moving such motor assembly 100 by electrical means. Thus, e.g., the assembly 100 can be used as a micrometer drive replacement that will afford a user both the conventional means of manual adjustment as well as the additional means of electrically automated adjustment.

In one embodiment, not shown, knurled knob 102 is mechanically connected to an exterior motor to allow for a second means of mechanical movement of the assembly.

FIGS. 24A and 24B illustrate adjustable linear stages 106 that are comprised of motor assemblies 100 operatively connected to linear translation stages 104a/104b. In this embodiment cover 58 of motor assembly 100 is attached to the bottom stage portion 104b and ball 26 is in contact with top stage portion 104a. As will be apparent, when knurled knob 102 moves in clockwise in direction 103, linear motion in the direction of arrow 105 is produced. Conversely, when knurled knob 102 is move counterclockwise in direction 107, linear motion in the direction of arrow 109 is produced.

In one embodiment, illustrated schematically in FIGS. 24A and 24B, a spring assembly 111 comprised of pins 115 and 116 (shown in dotted line outline) biases translation stage 104a/104b in the direction of arrow 109. In the embodiment depicted, pin 115 is attached to the top, movable part 104a of the assembly, and the pin 116 is attached to the stationary bottom part 104b of the assembly. As will be apparent, the spring assembly 111 may be used to produce the axial force 27 (see FIGS. 5 and 6).

FIG. 25 is a perspective view of a micromanipulator 120 that is capable of moving its stages 106a, 106b, and 106c, in the X, Y, and Z axes.

Although the invention has been described in its preferred form with a certain degree of particularity, it is to be understood that the present disclosure of the preferred form can be changed in the details of construction, and that

12

different combinations and arrangements of parts may be resorted to without departing from the spirit and the scope of the invention. In the previous portions of this specification, there has been described an apparatus for driving a threaded shaft assembly comprised of a threaded shaft with an axis of rotation and, engaged therewith, a threaded nut, wherein said assembly comprises means for subjecting said threaded nut to ultrasonic vibrations and thereby causing said shaft to simultaneously rotate and translate in the axial direction. As will be apparent, one may produce a comparable device that is comprised of means for causing said threaded shaft assembly to vibrate, thereby causing said threaded nut to simultaneously rotate and translate.

I claim:

1. An apparatus for driving a threaded shaft assembly comprised of a threaded shaft with an axis of rotation and, engaged therewith, a threaded nut, wherein:

(a) said assembly comprises means for subjecting said threaded nut to ultrasonic vibrations and thereby causing said threaded shaft to simultaneously rotate and translate in the axial direction through said nut,

(b) said threaded shaft is operatively connected to a load in said axial direction, and

(c) said assembly also is comprised of means for applying an axial force to said threaded shaft.

2. The apparatus as recited in claim 1, wherein said assembly comprises means for moving said threaded nut in an orbital direction.

3. The apparatus as recited in claim 1, wherein said threaded nut is a substantially rigid body.

4. The apparatus as recited in claim 1, further comprising a housing in which said threaded shaft assembly is disposed.

5. The apparatus as recited in claim 4, wherein said threaded nut is attached to said housing.

6. The apparatus as recited in claim 5, wherein said housing has a first bending resonant frequency in excess of 20,000 cycles per second, and wherein the first bending mode lies in a plane parallel to said axis of rotation.

7. The apparatus as recited in claim 6, wherein said housing has a second bending resonant frequency that is identical to said first bending resonant frequency, and wherein the second bending mode lies in a plane orthogonal to said first bending mode.

8. The apparatus as recited in claim 6, further comprising means for orbiting said threaded nut at a frequency of at least about 20,000 orbits per second.

9. The apparatus as recited in claim 8, further comprising means for moving said threaded shaft in a direction substantially parallel to said axis of rotation.

10. The apparatus as recited in claim 8, further comprising means for rotating said threaded shaft while moving said threaded shaft in a direction substantially parallel to said axis of rotation.

11. The apparatus as recited in claim 7 wherein said means for orbiting said threaded nut is comprised of at least two transducers for changing electrical energy into force.

12. The apparatus as recited in claim 11 wherein said transducers are selected from the group consisting of piezoelectric transducers, electrostrictive transducers, magnetostrictive transducers, electrostatic transducers, electromagnetic transducers, and mixtures thereof.

13. The apparatus as recited in claim 12 wherein said transducers are piezoelectric transducers.

14. The apparatus as recited in claim 13, wherein said piezoelectric transducers are piezoelectric plates.

15. The apparatus as recited in claim 14, wherein said piezoelectric plates are comprised of piezoelectric material

with a dielectric loss factor of less than about 1 percent at a frequency greater than about 20,000 Hertz.

16. The apparatus as recited in claim 14, wherein said piezoelectric plates of comprised of piezoelectric material with a dielectric loss factor of less than about 0.5 percent at a frequency greater than about 20,000 Hertz.

17. The apparatus as recited in claim 1, wherein said threaded shaft is comprised of a multiplicity of threads with a thread pitch of from about 40 to about 250 threads per inch.

18. An apparatus for driving a threaded shaft assembly comprised of a threaded shaft with an axis of rotation and, engaged therewith, a threaded nut, wherein:

(a) said assembly comprises means for subjecting said threaded nut to ultrasonic vibrations and thereby causing said threaded shaft to simultaneously rotate and translate in the axial direction,

(b) said threaded shaft is operatively connected to a load, and

(c) said assembly also is comprised of means for applying an axial force to said threaded shaft, wherein said threaded shaft is disposed within a housing, and wherein said threaded shaft is connected to a knob.

19. The apparatus as recited in claim 18, further comprising a movable stage connected to said threaded shaft and to said housing.

20. An apparatus comprised of at least two movable stages that are contiguous with each other, wherein each of said at least two movable stages is comprised of the apparatus of claim 19.

21. The apparatus as recited in claim 1, wherein said translation in said axial direction through said nut is operatively configured to translate in both a positive axial direction and a negative axial direction.

22. The apparatus as recited in claim 21, wherein said rotation is operatively configured to rotate in both the clockwise and counterclockwise directions.

23. An apparatus for driving a threaded shaft assembly comprised of a threaded shaft with an axis of rotation and, engaged therewith, a threaded nut, wherein:

(a) said assembly comprises means for subjecting said threaded nut to ultrasonic vibrations and thereby causing said threaded shaft to simultaneously rotate and translate in the axial direction through said nut,

(b) said threaded shaft is operatively connected to a load in said axial direction, and

(c) said assembly also is comprised of means for applying an axial force to said threaded shaft, and

(d) said rotation through said nut occurs through at least 360 degrees.

24. An apparatus for driving a threaded shaft assembly comprised of a threaded shaft with an axis of rotation and, engaged therewith, a threaded nut, wherein:

(a) said assembly comprises means for subjecting said threaded nut to ultrasonic vibrations and thereby causing said threaded shaft to simultaneously rotate and translate in the axial direction through said nut,

(b) said threaded shaft is operatively connected to a load in said axial direction, and

(c) said assembly also is comprised of means for applying an axial force to said threaded shaft, and

(d) said rotation and said translation in said axial direction through said nut occurs over a distance greater than the amplitude of any single amplitude of said ultrasonic vibration.

* * * * *